

Product Description

Create innovative spaces with lightweight and expandable Parametre 3D-textile systems. Made of 100% non-woven polyester, this flexible textile can be used in a variety of residential and commercial applications.

Specification

PRODUCT INFORMATION

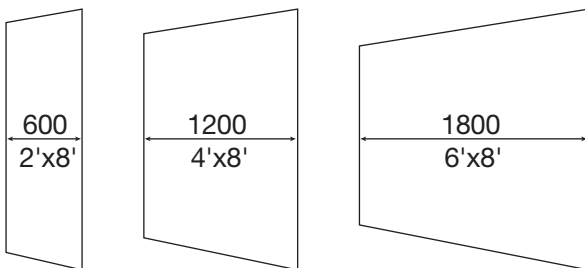
Innovative 3D textile system, redefining space. Create shade, shadow + light with Parametre™ by 3form.

- 100% Polyester
- Commercial + Residential Applications
- Horizontal / Vertical Systems
- Class A Fire Rated
- Three Standard Sizes
- Custom Sizing up to 14' W x 14' L
- UV Treated
- Anti-Microbial + Anti-Static
- Cleans Easily
- Standard Hardware Included for Quick Installation
- Cable Hardware Available
- Drop Ceiling Hardware Available

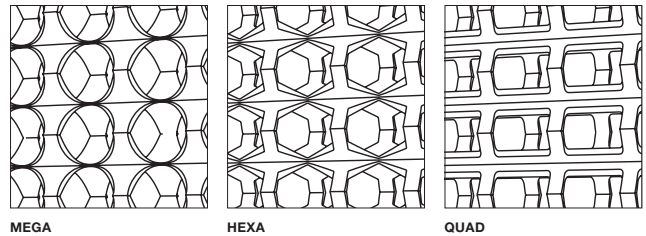
SIZES

THREE STANDARD SIZES.*

*Custom Sizing up to 14' W x 14' L



PATTERNS

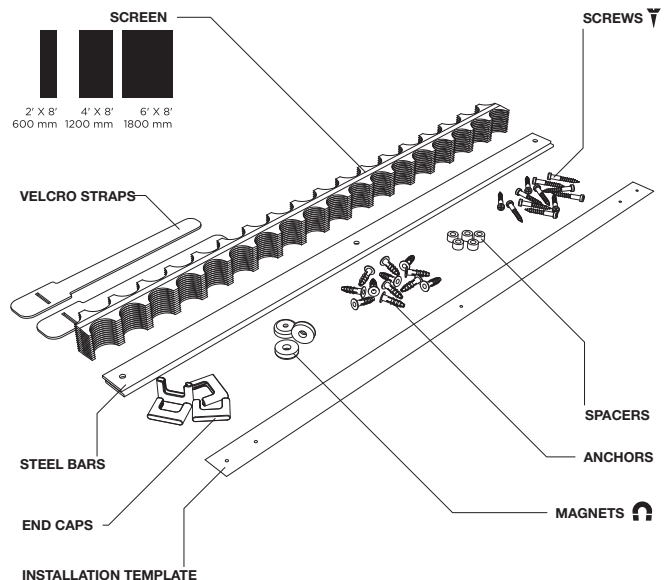


COLORS

- | | |
|----------------|--------------|
| Canvas | Charcoal |
| Cool Grey | Coffee Bean |
| Eggshell White | Glacier Blue |
| Green Apple | Terracotta |

Hardware

STANDARD HARDWARE INCLUDED FOR QUICK INSTALLATION



FLAMMABILITY & SMOKE TEST RESULTS –
BUILDING CODE APPROVALS

Parametre has been independently tested and meets the criteria for approved interior finishes and textile materials as described in the 2009 International Building Code®.

| TEST | 3FORM PARAMETRE GRADE 1 | RESULT |
|--|-------------------------|--|
| ASTM E84-03 Flame Spread Smoke generated | 0 30 | Class A: 0-25 <450 |
| NFPA 701 Method 1 Method 2 | Pass Pass | Meets requirements Meets requirements |

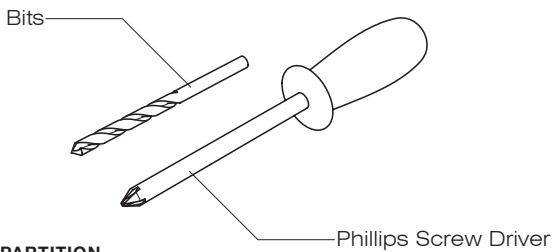
| TEST | 3FORM PARAMETRE FR | RESULT |
|--|--------------------|--|
| ASTM E84-03 Flame Spread Smoke generated | 0 120 | Class A: 0-25 <450 |
| NFPA 701 Method 1 Method 2 | Pass Pass | Meets requirements Meets requirements |

Cleaning Instructions

Remove dust with compressed air or feather duster. Remove dirt with spot treatment or by rinsing with water (mild detergent solution only)

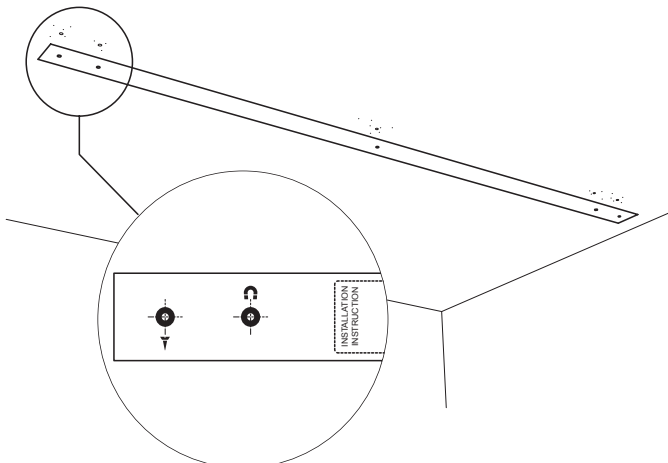
Standard Installation

TOOLS NEEDED

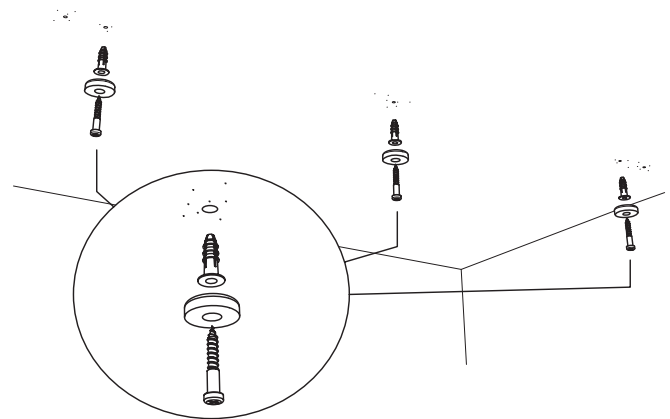


1. INSTALL PARTITION

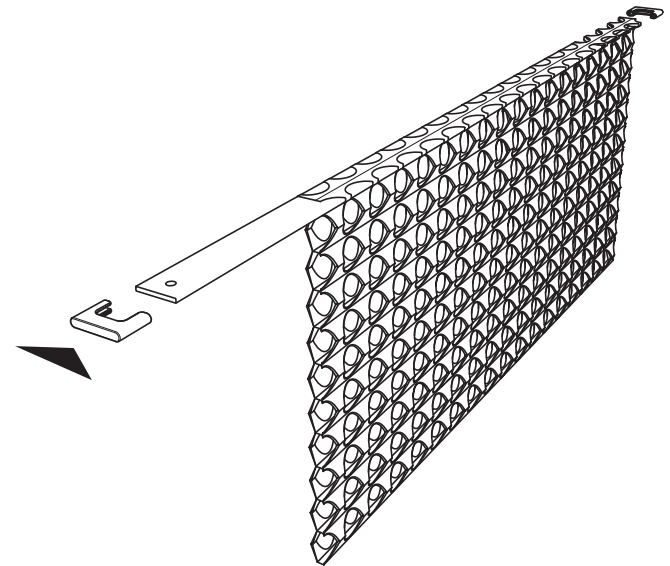
a. Peel backing off of the installation template and adhere to ceiling in desired position. Drill holes into ceiling according to the installation template



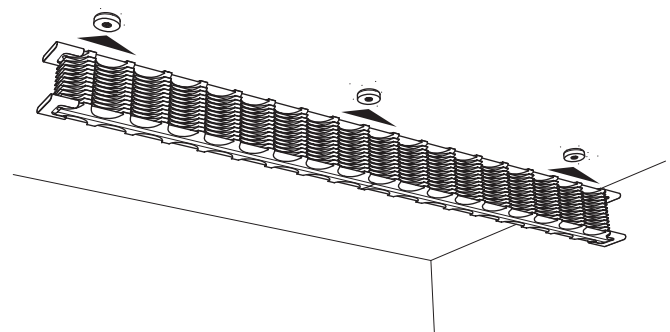
b. Fasten magnets to the ceiling



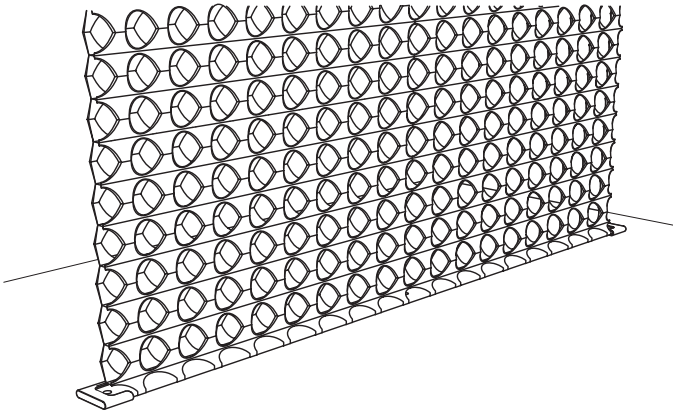
c. Slide the steel bars through the top and the bottom of the screen. Place the end caps on each end of the steel bars.



d. Suspend the screen from the magnets

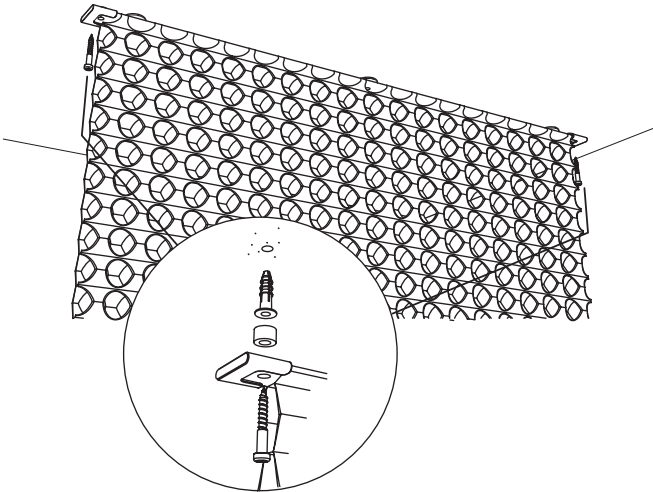


e. Lower the screen to the floor



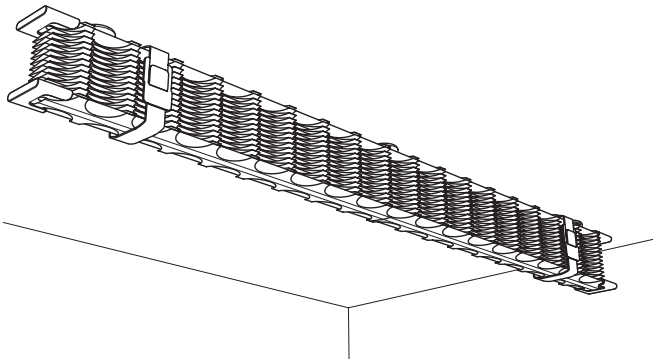
2. SECURE PARTITION (OPTIONAL STEPS)

Fasten each end of the top and/or bottom of the steel bars



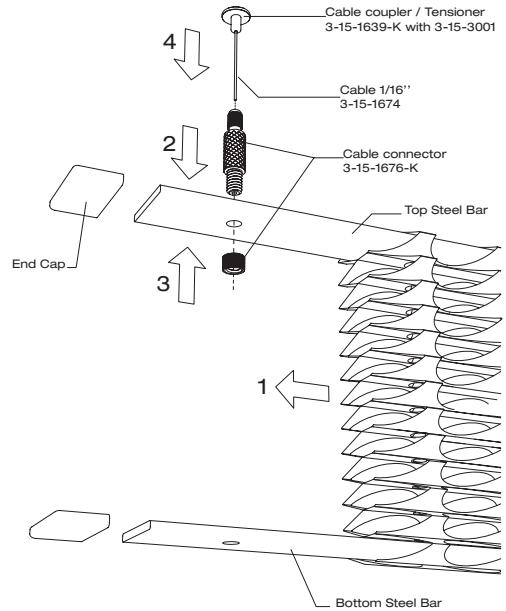
2. SECURE PARTITION (OPTIONAL STEPS)

Fasten each end of the top and/or bottom of the steel bars

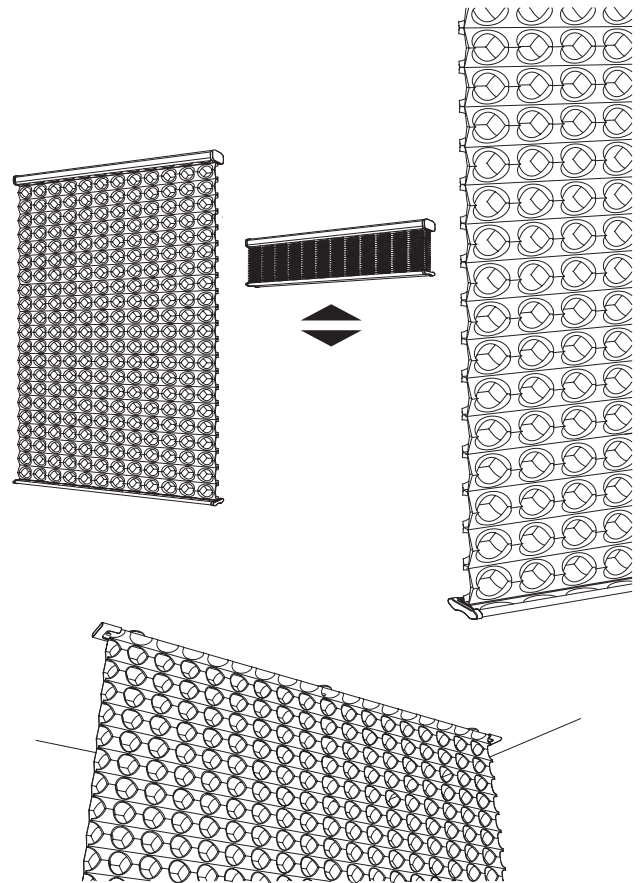


Cable Installation

Using a cable every 2'-0" is recommended



Lift Installation



Clean + Modern + Simple