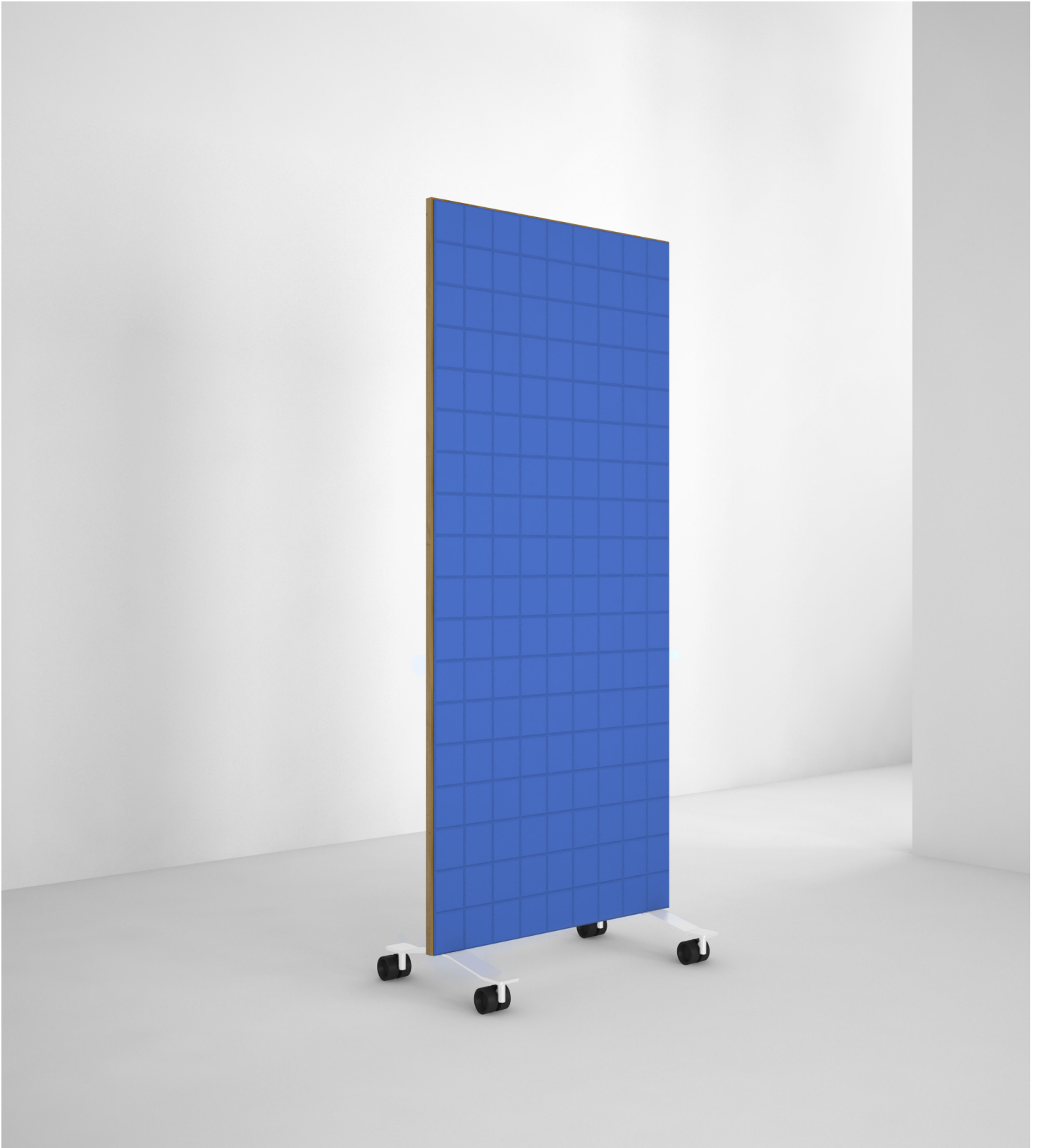


Ready To Go

200.63 - Divy Mobile™

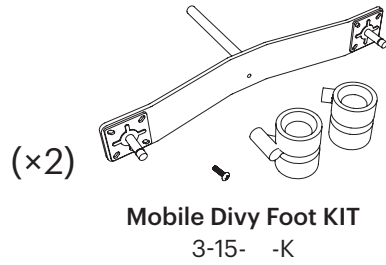
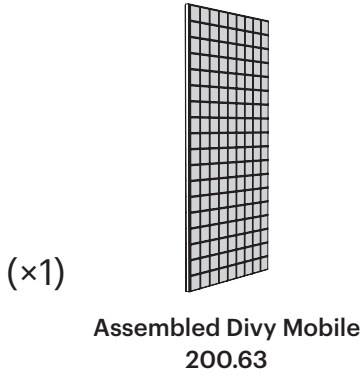
Solution Document



For more information, please visit 3-form.com or call 800.726.0126

MARCH 2019 | MAN-RTG-200-63 | REV 001 © 2019 3form, Inc. All rights reserved.

Contents Overview

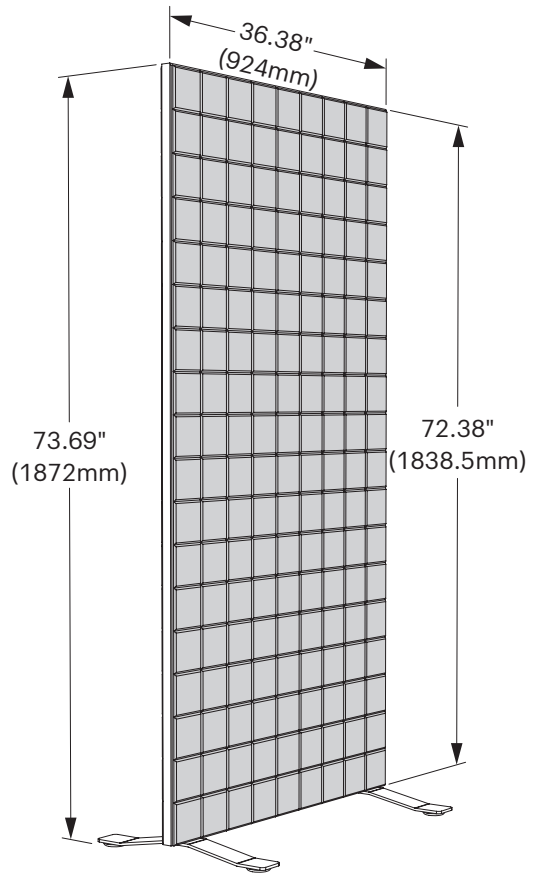
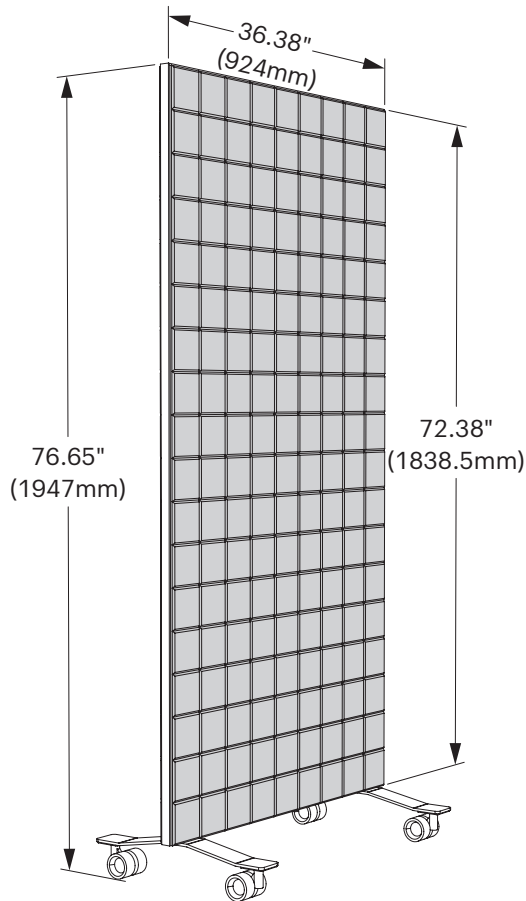


Required Tools



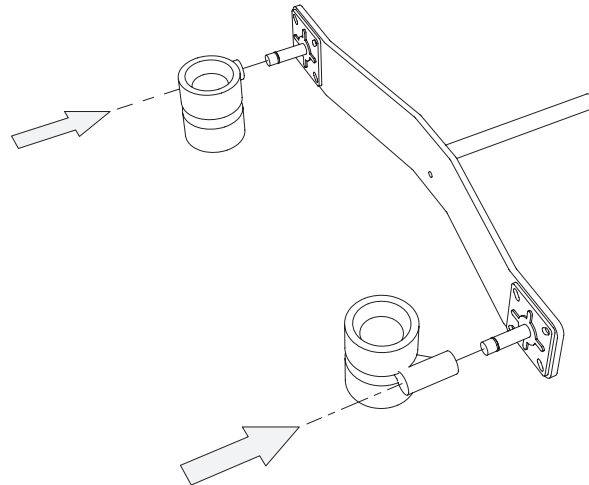
Overview

The SimpleSpec 200.63 solution is a free standing application that serves as a movable way to partition or divide space.

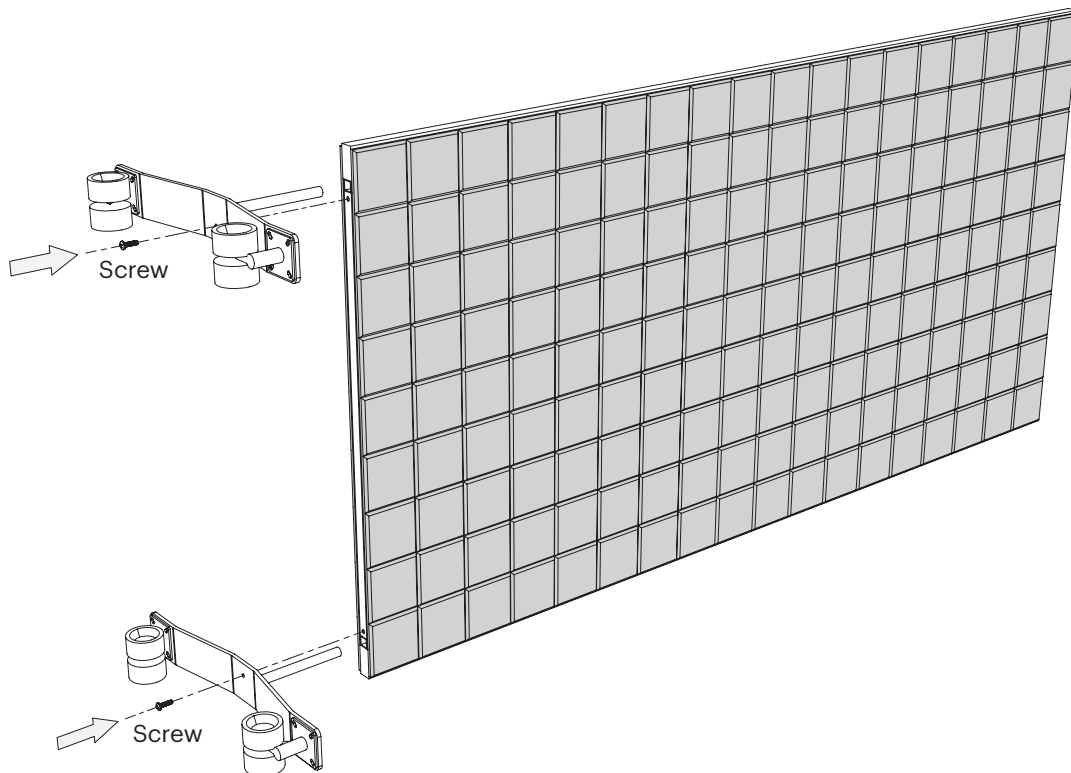


Installation

1 Attach Casters to Mounting Plate (×2)



2 Attach Mounting Plate to Mobile Divy

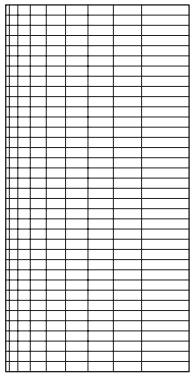


Product Description and Specifications

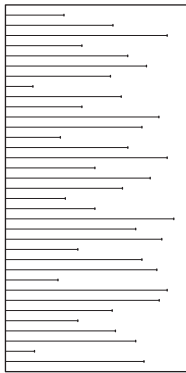
Features and Benefits

- 15 color options
- 6 base patterns
- Noise Reduction Coefficient (NRC) up to 0.75
- Cost-effective decorative feature
- Easy to specify
- Easy to install

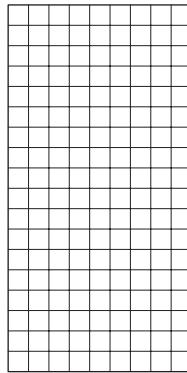
Available Patterns



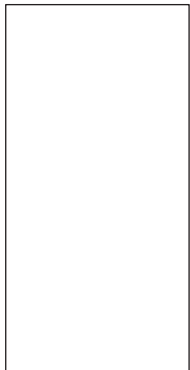
Accord



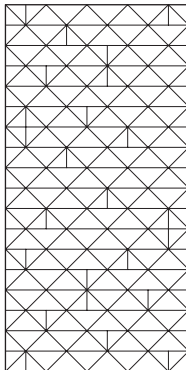
Margin



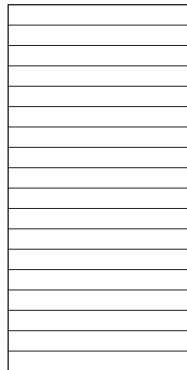
Net



Plane



Quint



Vim

Cleaning Instructions

Divy Panels should be cleaned periodically. A regular, seasonal cleaning program will dramatically help prevent noticeable weathering and dirt build-up.

To remove airborne debris and dust, it is recommended to periodically vacuum Divy Panels. Please note the slight shedding of fibers from the Felt is normal and not indicative of any defect.

To treat liquid stains, remove spills immediately using a clean damp cotton cloth or with detergent soap and warm water. Carpet and fabric cleaners can usually be used; always test an inconspicuous area before the actual stain.

Do:

- Vacuum or use a soft brush to clean Divy Panels.

Do not:

- Use strong solvents, highly alkaline or abrasive cleaning agents.
- Do not completely saturate module with cleaning solution or water.

Available Finishes

Divy Panels can be specified in any of 3form's 15 Sola Felt options.



Flammability and Smoke Test Results - Building Code Approvals

Divy Panels have been independently tested and meet the criteria for approved interior finishes as described in the 2015 International Building Code®.

Material	Test-ASTM E84	Divy	Result
Felt	Flame Spread Smoke Generated	15 450	Class A: 0-25 <450

Panel Weight

Material	Thickness	Weight
Felt	3/8" (9mm)	48.4 lbs

Sound Absorption Test Results

Material	Test-ASTM C423	Result
Felt	Noise Reduction Coefficient	0.75
Felt	Sound Absorption Average	0.76

Sabine Absorption Coefficients

Frequency, HZ	Absorption Coefficient
100	0.20
125	0.39
160	0.35
200	0.39
250	0.45
315	0.55
400	0.59
500	0.66
630	0.78
800	0.86
1000	0.92
1250	0.94
1600	0.97
2000	1.00
2500	1.01
3150	1.03
4000	1.02
5000	1.05