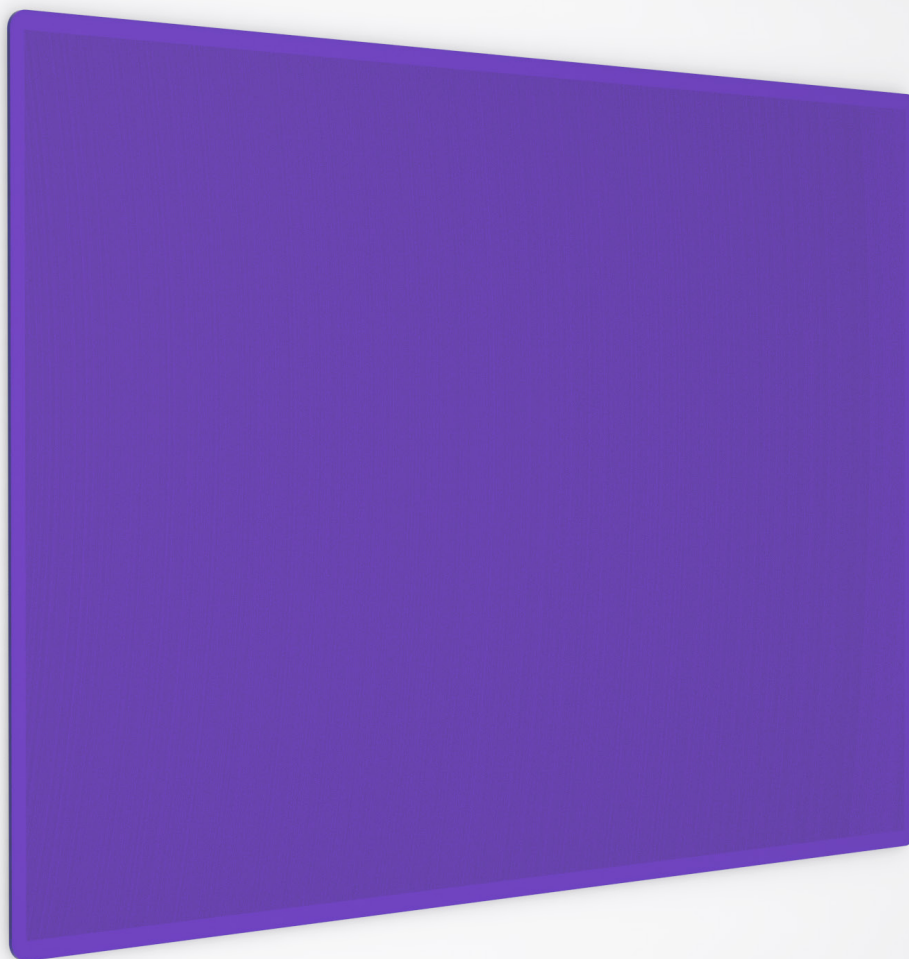
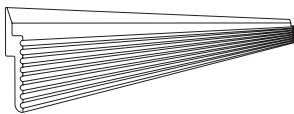
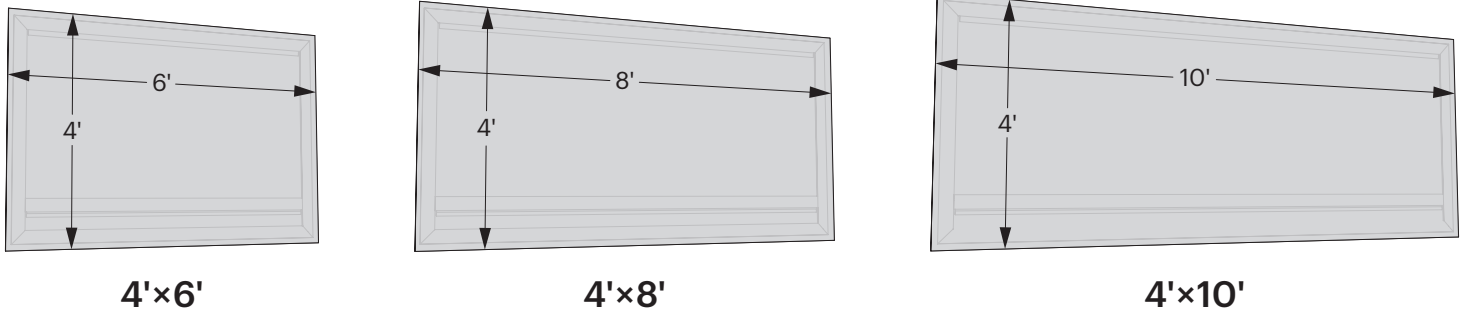
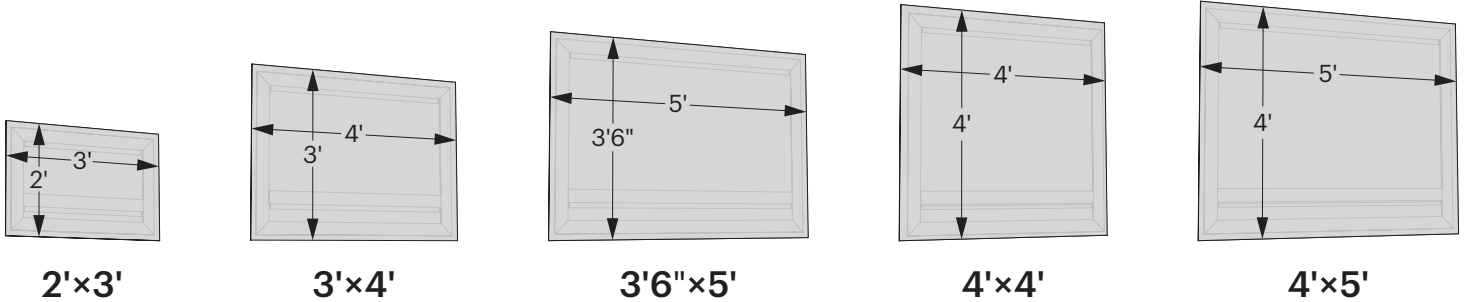


Ready To Go
SimpleSpec 300.45™

Installation Document



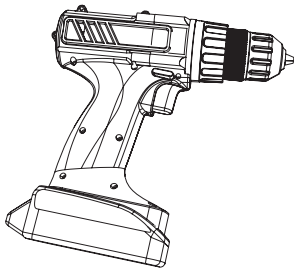
Overview



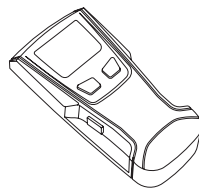
Z-Clip

Installation

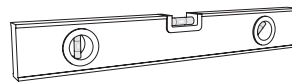
Required Materials



Drill



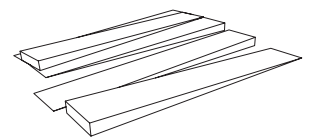
Stud Finder



Level



Screws

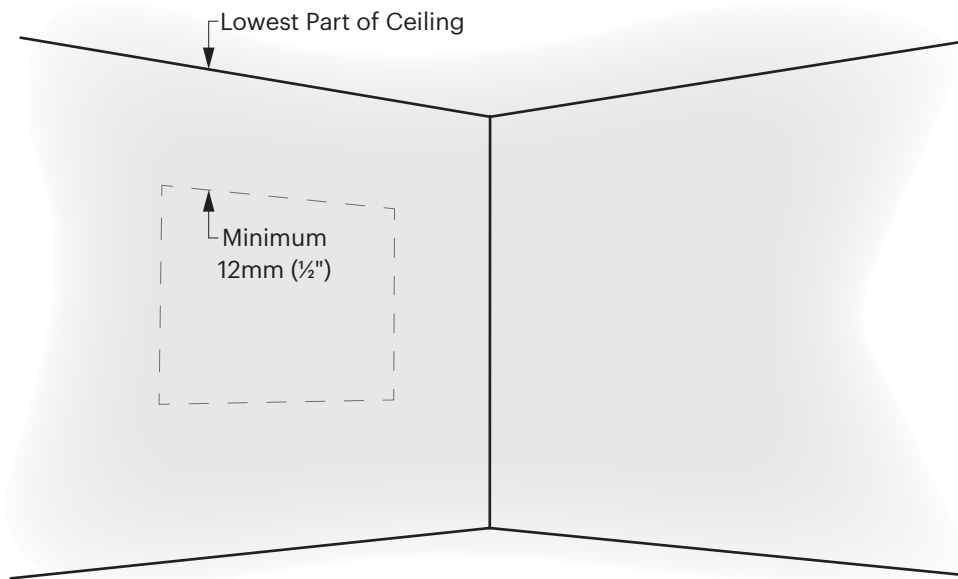


Shims

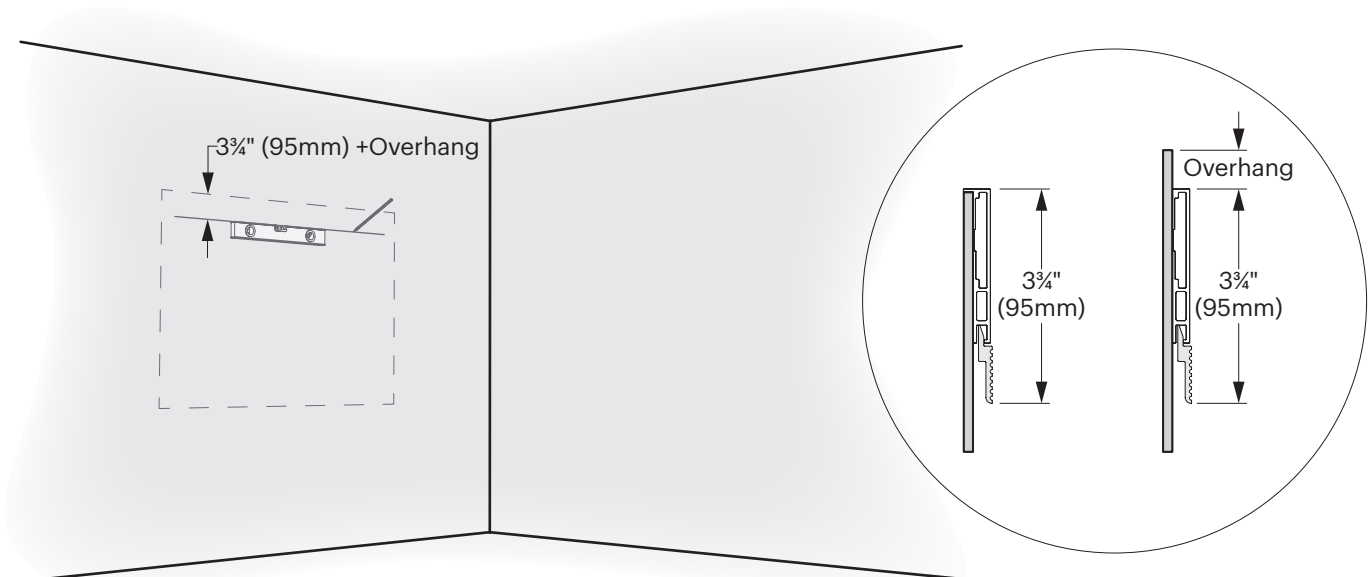
Installation

1 Mark Location to Install on Wall

- a** Make sure top of board is at least ½" (12mm) below the lowest part of the ceiling.



- b** Using a level, mark where the bottom of the Z-strip will be located. This should be ¾" (95mm) below the top of the markerboard unless the glass overhangs the extrusion, in which case add that amount to this figure.

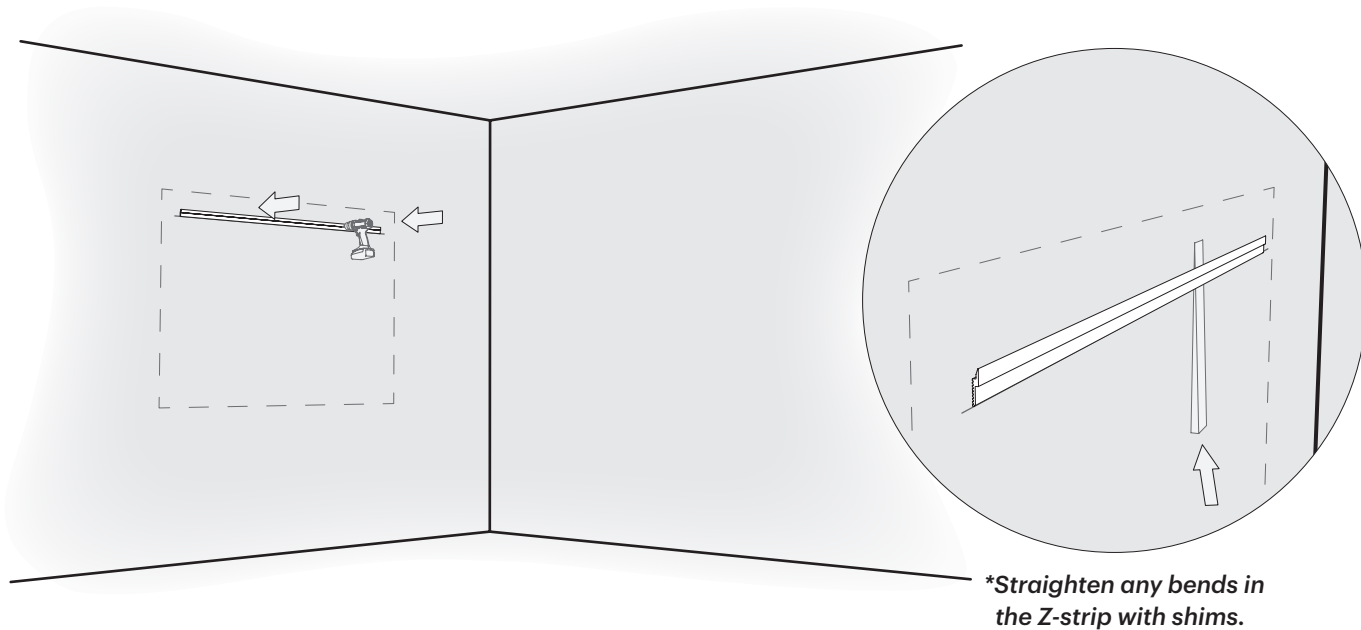


**If installing multiple Markerboards, determine location of all panels at this time.*

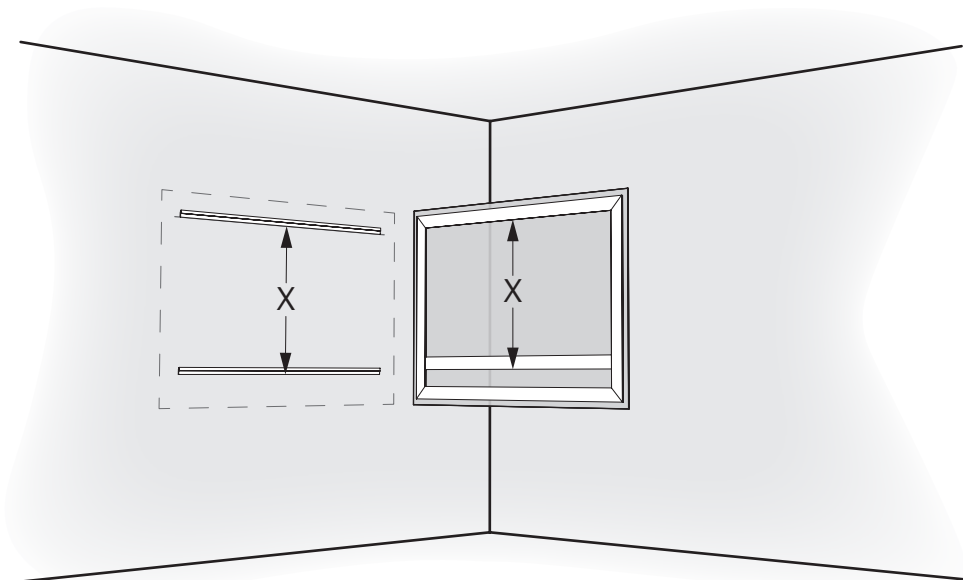
Installation

2 Install Z-strips

- a** Drill Z-strip and screw to wall studs. Center the Z-strip in the width of the desired Markerboard location (there is about 20mm of horizontal leeway).



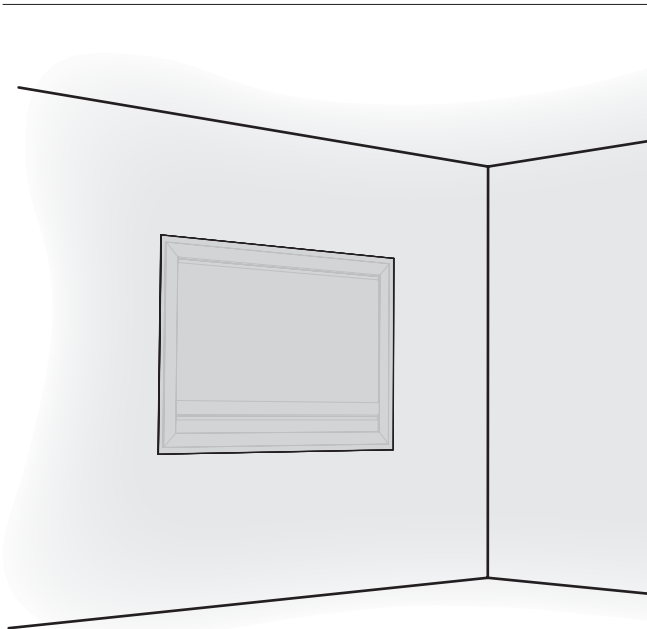
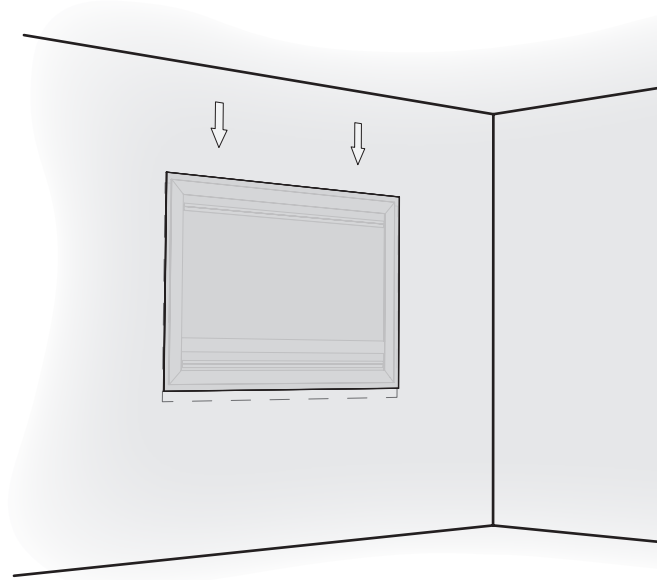
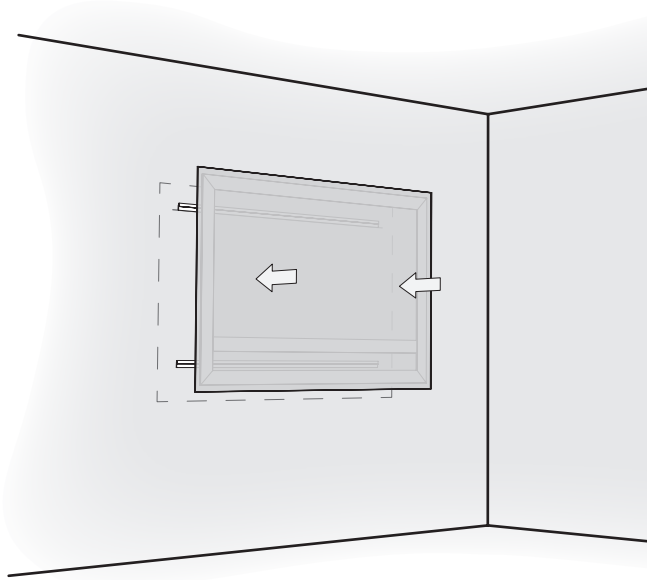
- b** Add second row of Z-strips (Optional)



Installation

3 Hang Markerboard

Use glass holders to move panels. Hook the extrusion onto both Z-strips. Ensure that it drops down into a fully engaged position.



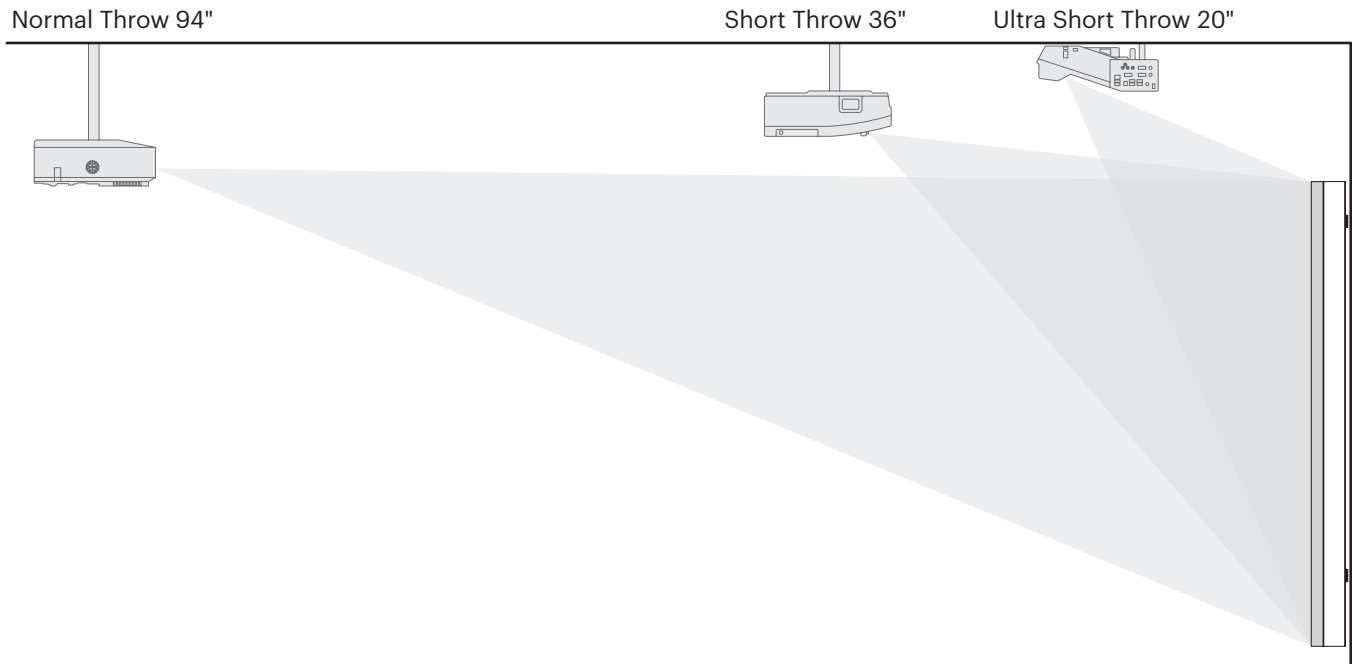
4 Install Additional Panels

Repeat Steps 2-3 for additional panels.

Be careful when putting glass edges next to each other!

Projectable Surface

3form Markerboards are able to function as a projectable surface. For optimal performance, a matte finish and a short throw projector are recommended.

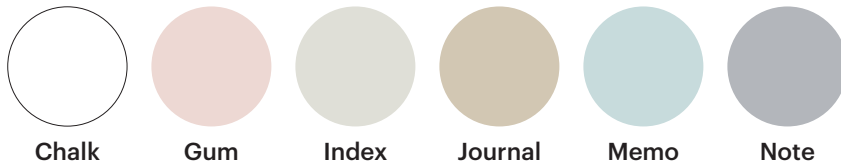


Product Description

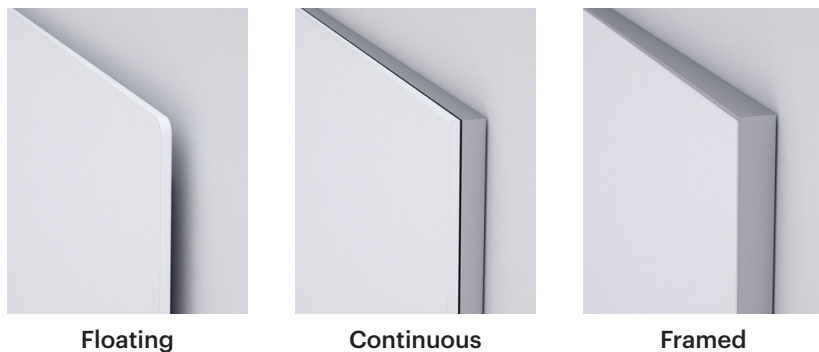
Features and Benefits

- **Weight:** 2.6 lbs per square foot
- **Glass Gauge:** 4mm
- **Glass Type:** Tempered Low Iron
- **Floating Radius Edge:** 6.3mm radius on all corners
- Ships from North Carolina
- Markerboards are supplied standard with a magnetic surface that can be used with any rare-earth magnetic accessories
- Glass and matte finishes
- The matte finish is short throw projectable
- Matte finish is achieved with a light etch process

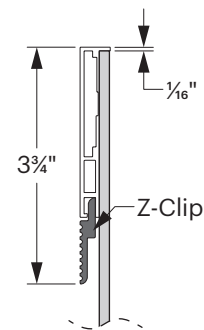
Color Options



Frame Styles



Z-Clip Attachment Detail



Cleaning Instructions

Erasable markers, such as Rite-On markers, contain an ink that dries instantly and should be easily erased. After a period of use, a film or haze could develop on the surface of the board, which is the result of the ink residue that might not be completely removed when the board is erased. Even though the film exists, the marker color remain vivid.

By using a spray on type of glass cleaner, the board may be given a thorough cleaning. simply spray the surface and briskly rub with a clean microfiber cloth. Rinse with clear water. Avoid using caustic or abrasive type of cleaners.