

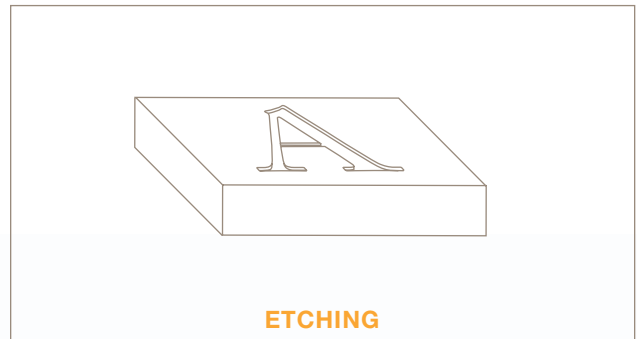
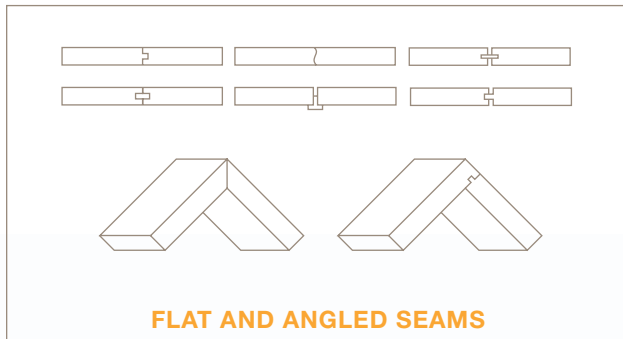
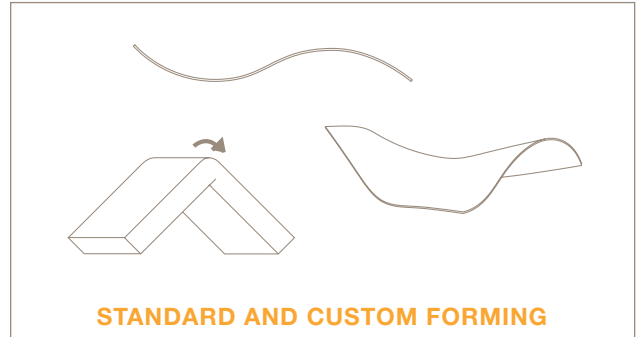
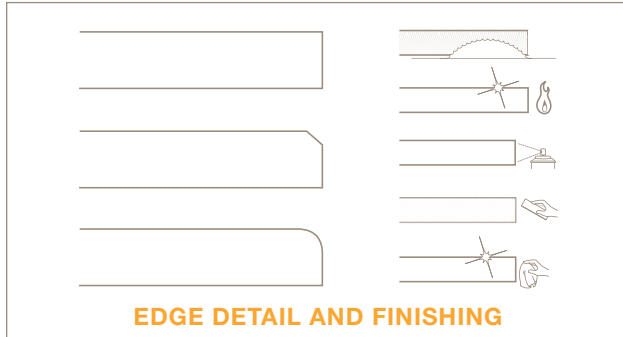


3form | **Fabrication**

Design is in the details.

With our material expertise, 3form Fabrication crafts personalized products, giving creativity the support to succeed. From custom complex projects to simple finishing details, 3form offers the world's leading fabrication capabilities to deliver turn-key solutions.

Fabrication options for material refinement include:



For more information, please visit 3-form.com/fabrication or call 800.726.0126

OCTOBER 2008 | COR1P - FABRICATION | REV 002 © 2008 3form, Inc. All rights reserved.