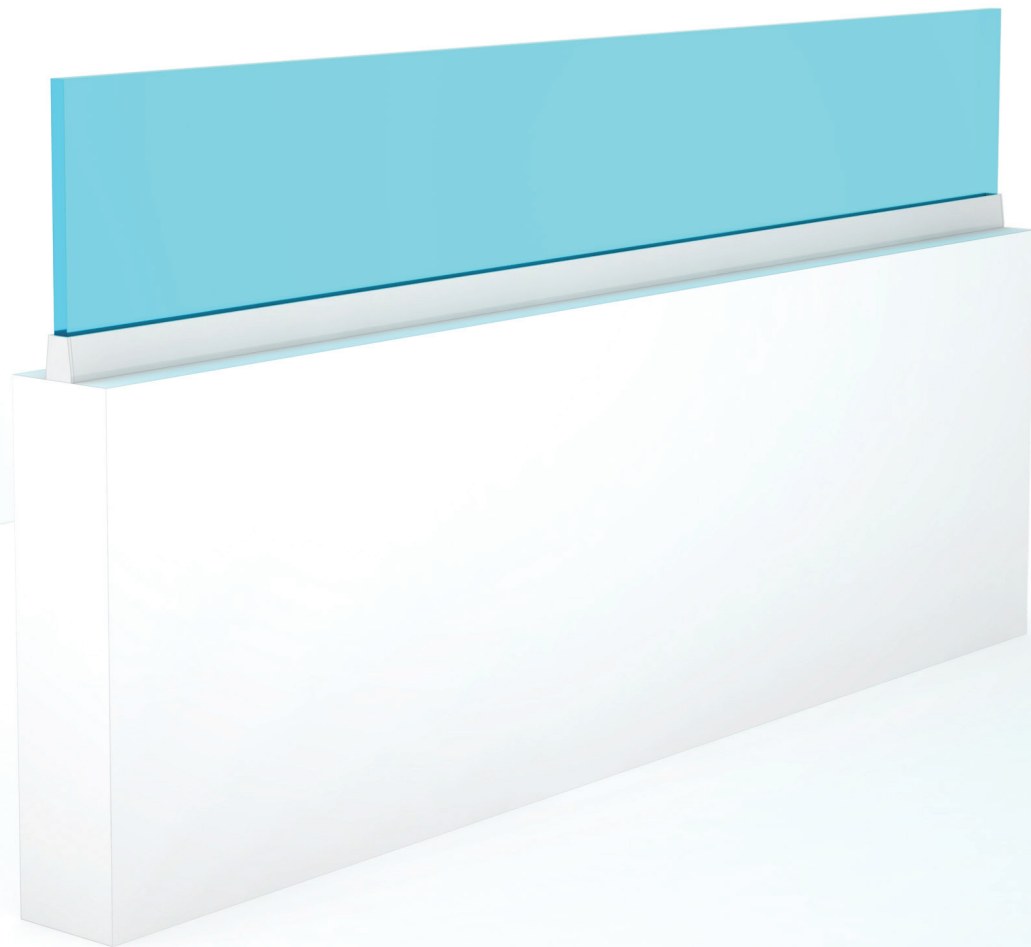



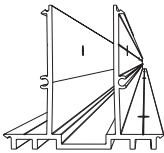

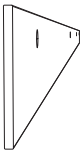
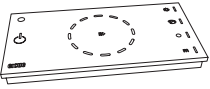
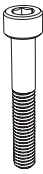


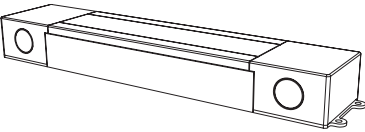
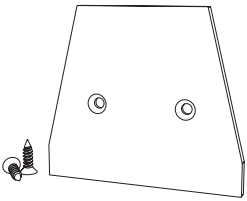
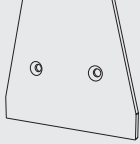

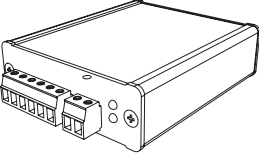
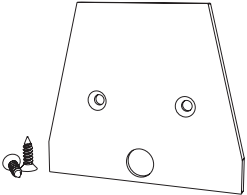
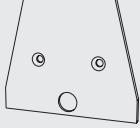

Ready To Go
SimpleSpec 200.43™

Installation Manual

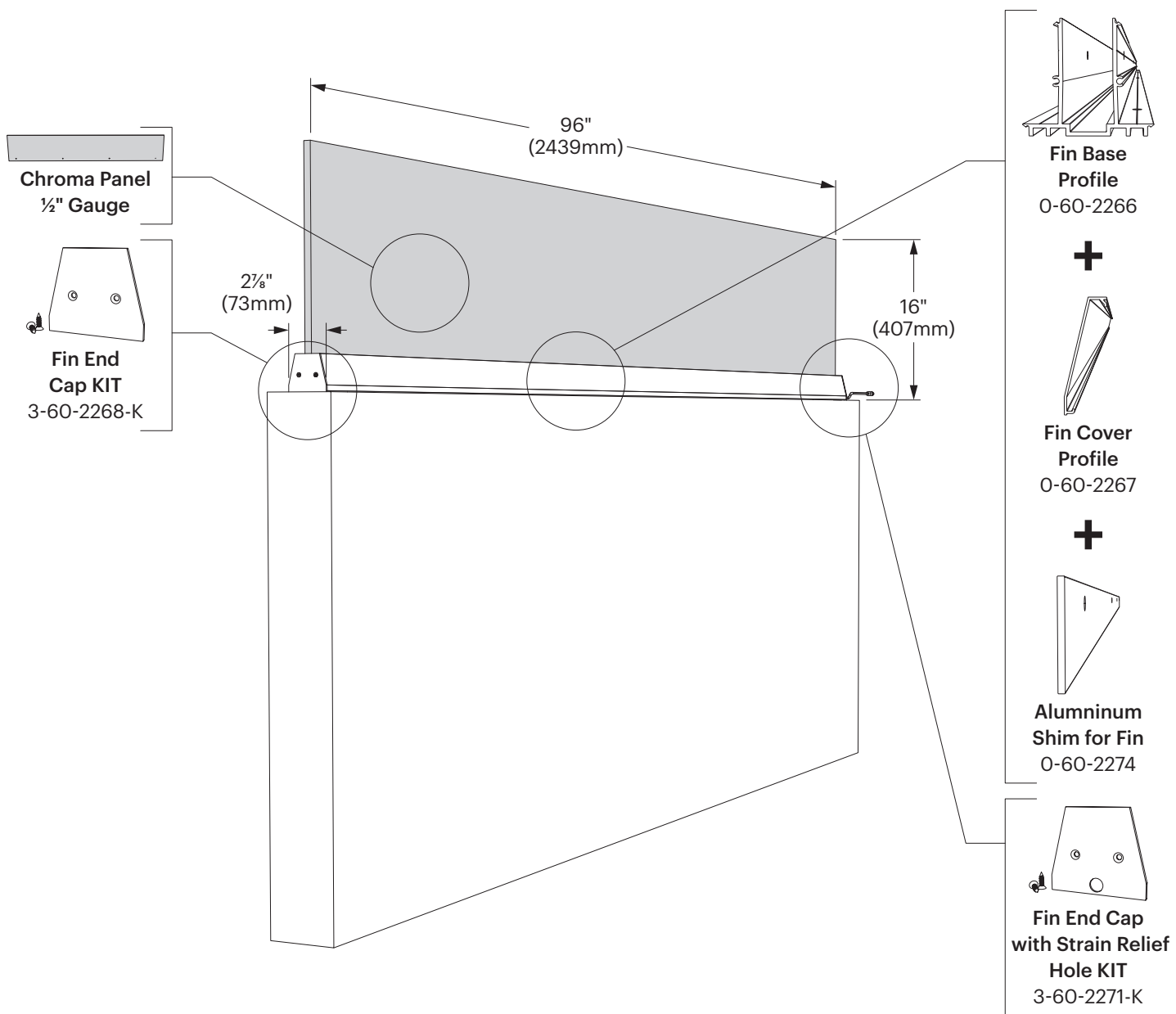


For more information, please visit 3-form.com or call 800.726.0126
JUNE 2018 | MAN-RTG-200-43 | REV 002 © 2018 3form, Inc. All rights reserved.

Contents Overview

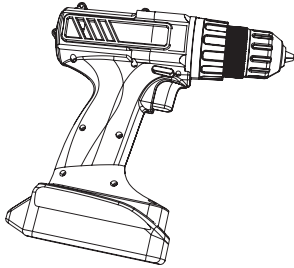
<p>(x1) </p> <p>Chroma 15¾" × 96" × ½"</p>	<p>(x1) </p> <p>Fin Base Profile 122" Length 0-60-2266</p>	<p>(x2) </p> <p>Fin Cover Profile 122" Length 0-60-2267</p>	<p>(x2) </p> <p>Aluminum Shim for Fin 0-60-2274</p>
<p>(x1) </p> <p>Light Drive RGB - DMX Wall Control 3-60-510</p>	<p>(x4) </p> <p>M6 × 40mm Std SHCS 3-15-0709</p>	<p>(x4) </p> <p>M6 Washer 3-15-3040</p>	<p>(x4) </p> <p>M6 Hexagon Nut 3-15-3060</p>
<p>(x1) </p> <p>96W Dimmable Power Supply 3-60-765</p>	<p>(x1)  =  (x1) +  (x2)</p> <p>Fin End Cap KIT 3-60-2268-K</p> <p>Fin End Cap 3-60-2268</p> <p>Lightbox Heat Sink Screw 3-15-7780</p>		
<p>(x1) </p> <p>3 Channel PWM DMX Interface 3-60-000</p>	<p>(x1)  =  (x1) +  (x2)</p> <p>Fin End Cap with Strain Relief Hole KIT 3-60-2271-K</p> <p>Fin End Cap with Strain Relief Hole 3-60-2271</p> <p>Lightbox Heat Sink Screw 3-15-7780</p>		

Overview



Installation

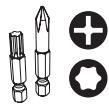
Required Tools



Drill



Drill Bits



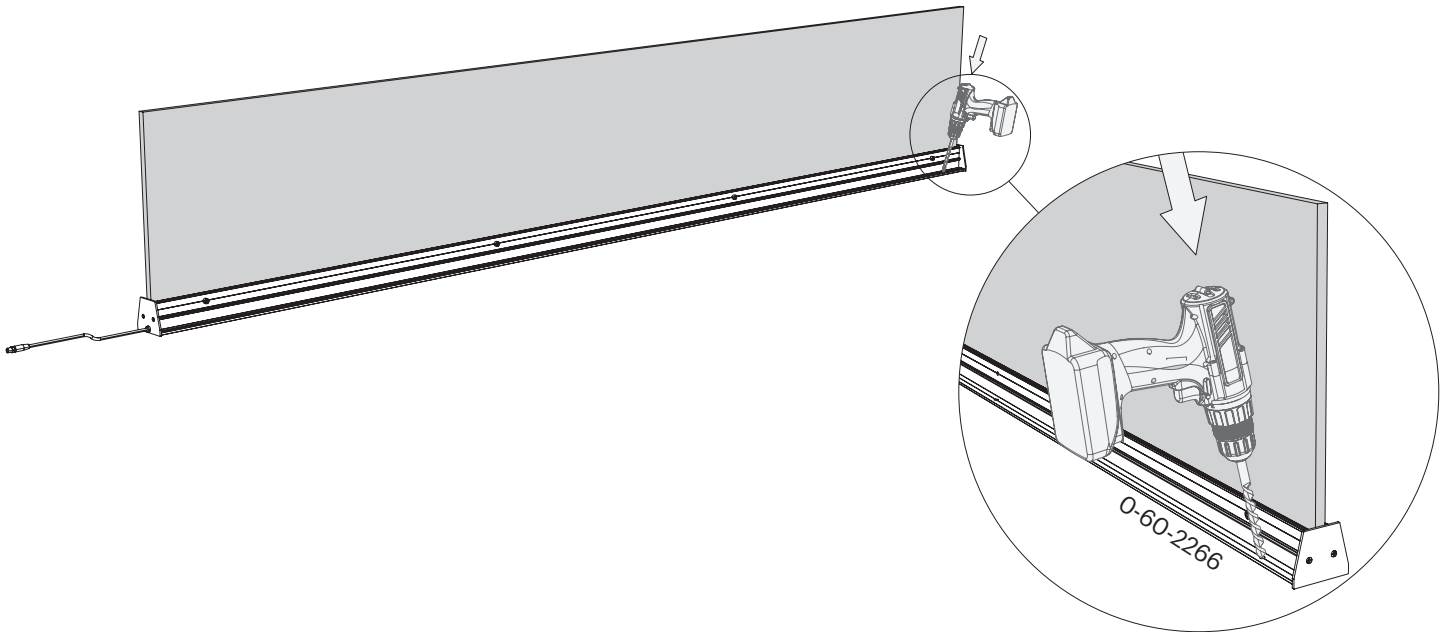
Driving Bits



$\frac{3}{16}$ " \times $1\frac{3}{4}$ " (or $\frac{1}{4}$ " or M6)
Wood or Concrete Anchors

1 Drill and Anchor

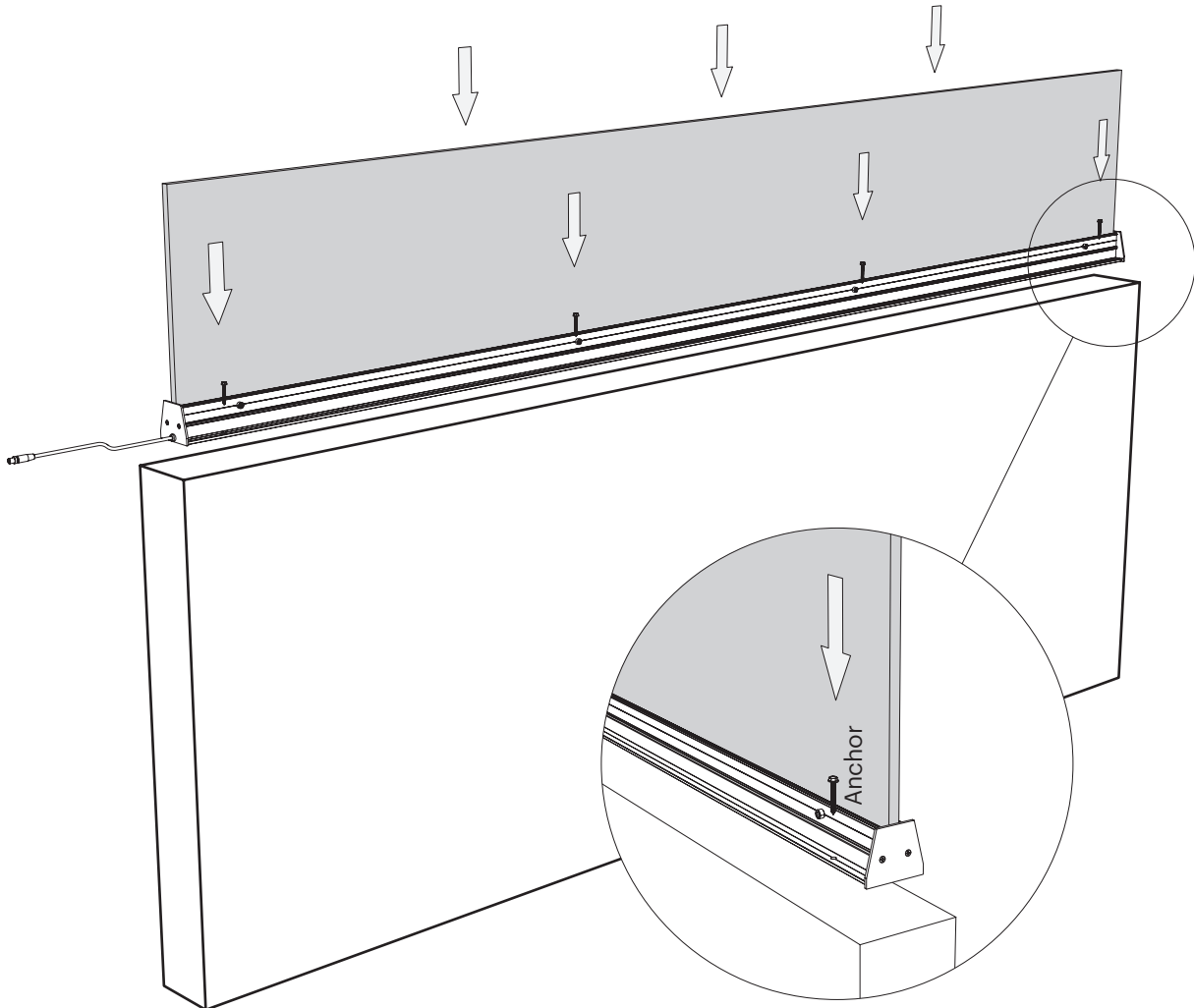
- a** Drill $\frac{1}{4}$ " holes in Fin Base Profile for anchoring with maximum of 30" spacing and no more than 12" from edge.



Installation

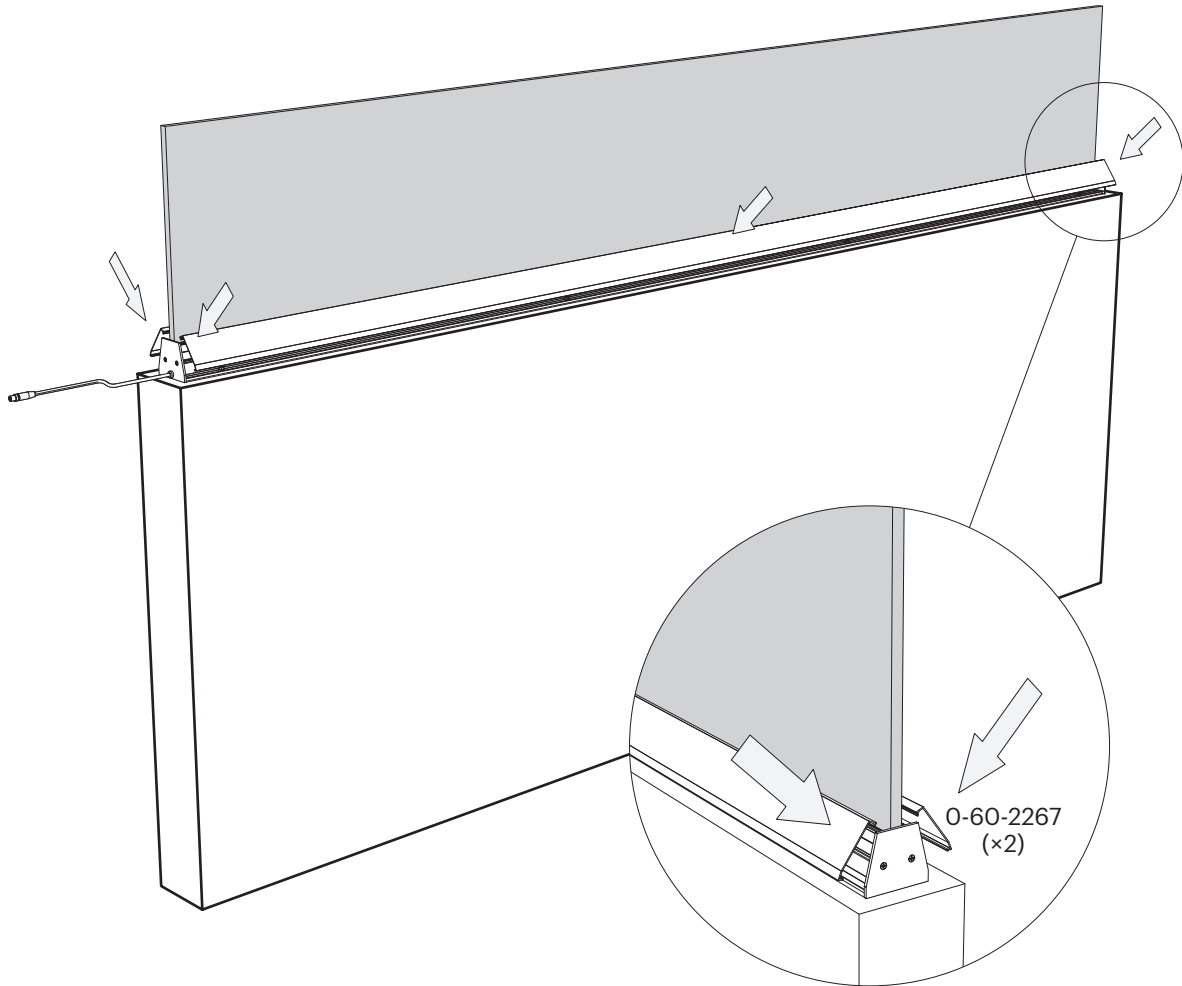
1 Drill and Anchor *cont...*

- b** Anchor Fin into wall using appropriate anchors for wall surface. Anchors to be supplied by installer.



Installation

2 Attach Cover Profiles



Installation

3 Connect Electrical

Have a qualified electrician wire the lighting to a remote driver (in remote location) and test the lights.

