

Ready To Go

SimpleSpec 500.04™

Installation Manual

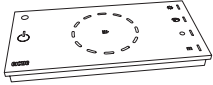
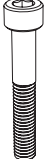





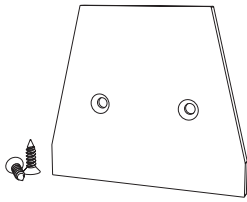
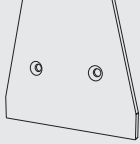
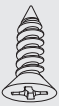
For more information, please visit 3-form.com or call 800.726.0126

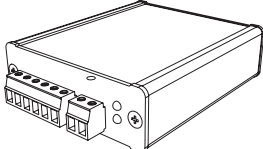
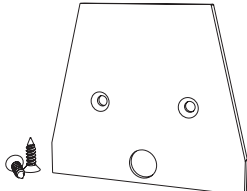
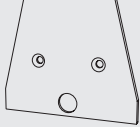

JUNE 2018 | MAN-RTG-500-04 | REV 002 © 2018 3form, Inc. All rights reserved.

Contents Overview

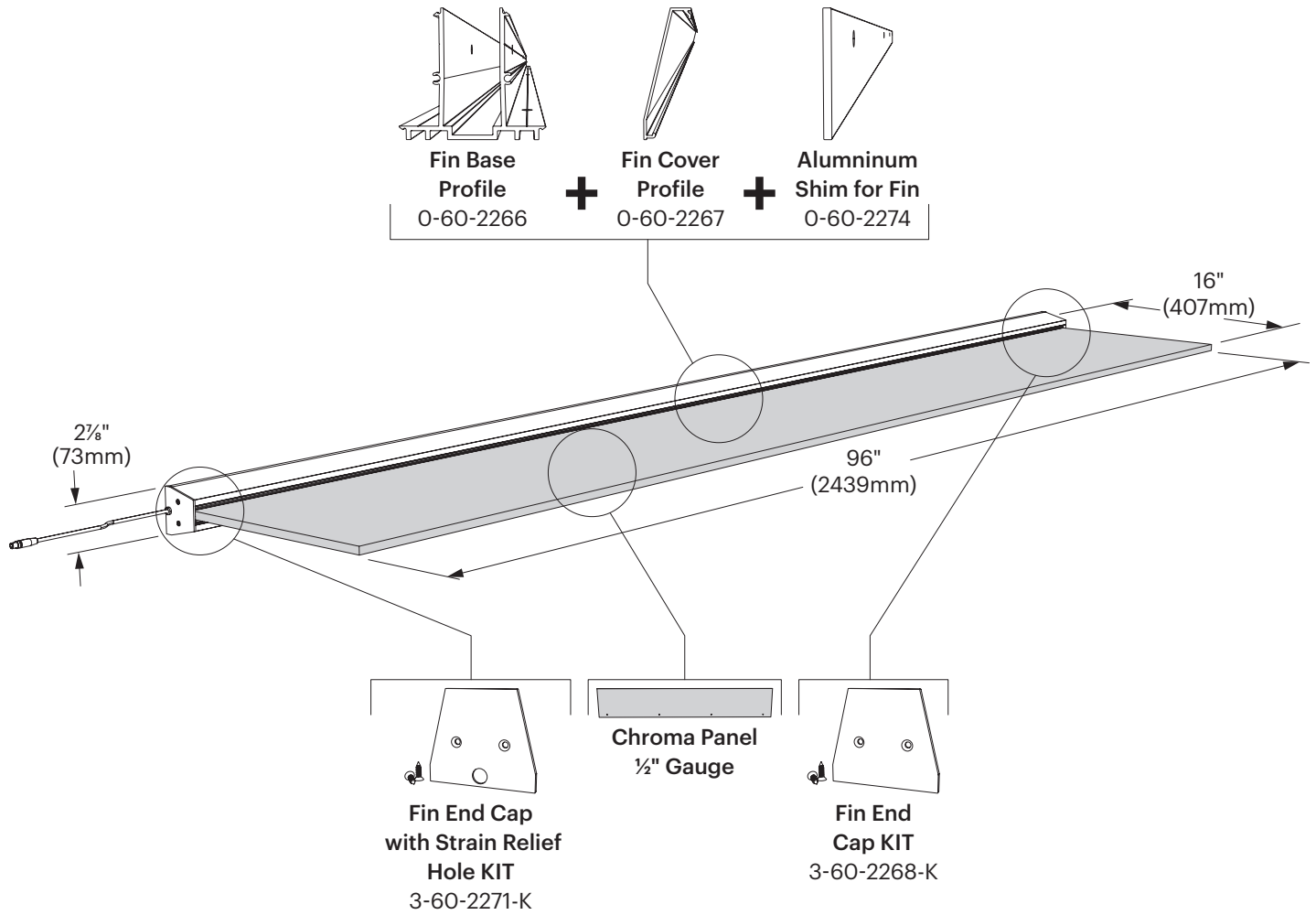
(x1)		(x1)		(x2)		(x2)	
	Chroma 15¼" × 96" × ½"		Fin Base Profile 122" Length 0-60-2266		Fin Cover Profile 122" Length 0-60-2267		Aluminum Shim for Fin 0-60-2274

(x1)		(x4)		(x4)		(x4)	
	Light Drive RGB - DMX Wall Control 3-60-510		M6 × 40mm Std SHCS 3-15-0709		M6 Washer 3-15-3040		M6 Hexagon Nut 3-15-3060

(x1)		(x1)		=	(x1)	+	(x2)
	96W Dimmable Power Supply 3-60-765		Fin End Cap KIT 3-60-2268-K				
					Fin End Cap 3-60-2268		Lightbox Heat Sink Screw 3-15-7780

(x1)		(x1)		=	(x1)	+	(x2)
	3 Channel PWM DMX Interface 3-60-000		Fin End Cap with Strain Relief Hole KIT 3-60-2271-K				
					Fin End Cap 3-60-2271		Lightbox Heat Sink Screw 3-15-7780

Overview

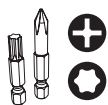


Installation

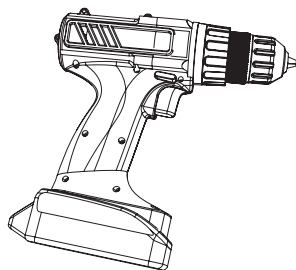
Required Tools



Drill Bits



Driving Bits



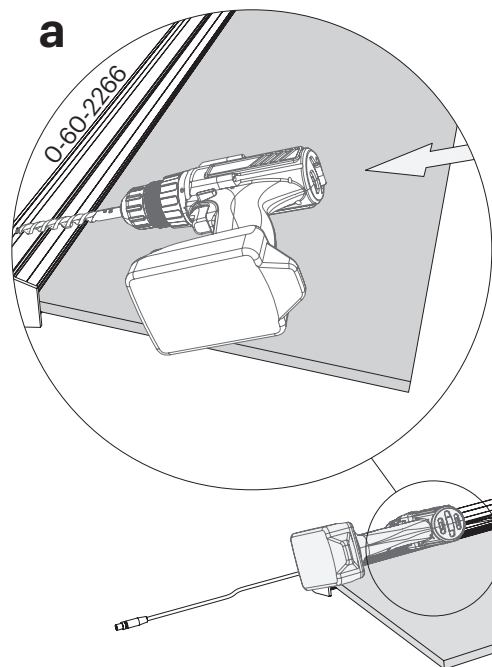
Drill



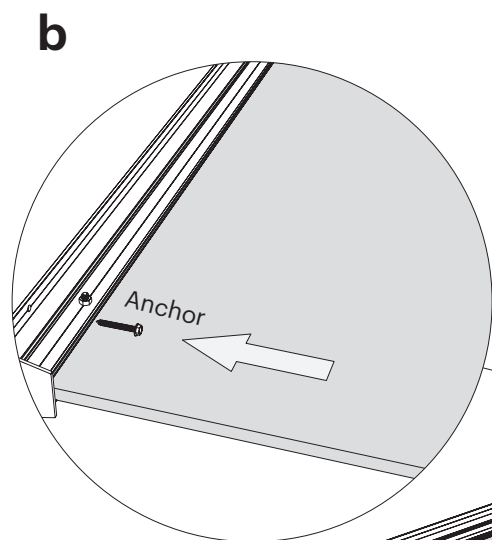
3/16" x 1 3/4" (or 1/4" or M6)
Wood or Concrete Anchors

Installation

1 Drill and Anchor



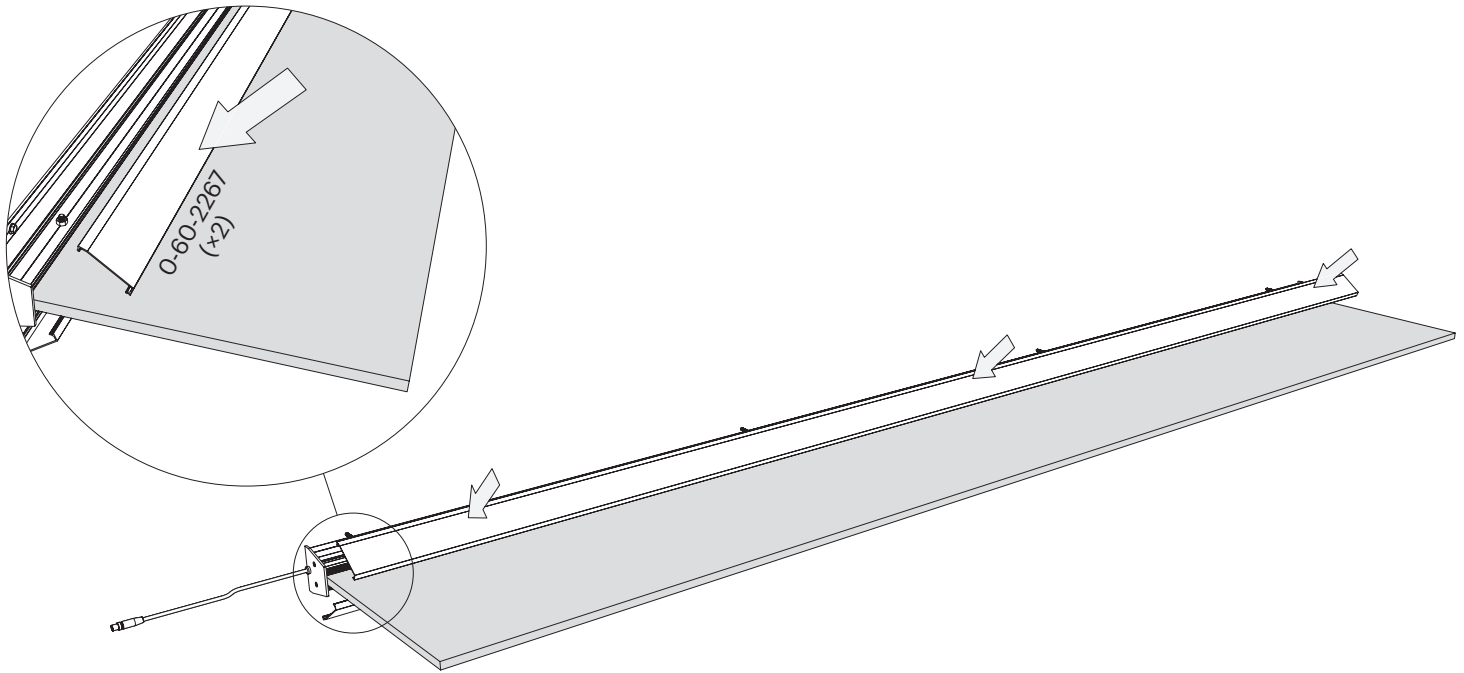
Drill ¼" holes in Fin Base Profile for anchoring with maximum of 30" spacing and no more than 12" from edge.



Anchor Fin into wall using appropriate anchors for wall surface. Anchors to be supplied by installer.

Installation

2 Attach Cover Profiles



Installation

3 Connect Electrical

Have a qualified electrician wire the lighting to a remote driver (in remote location) and test the lights.

