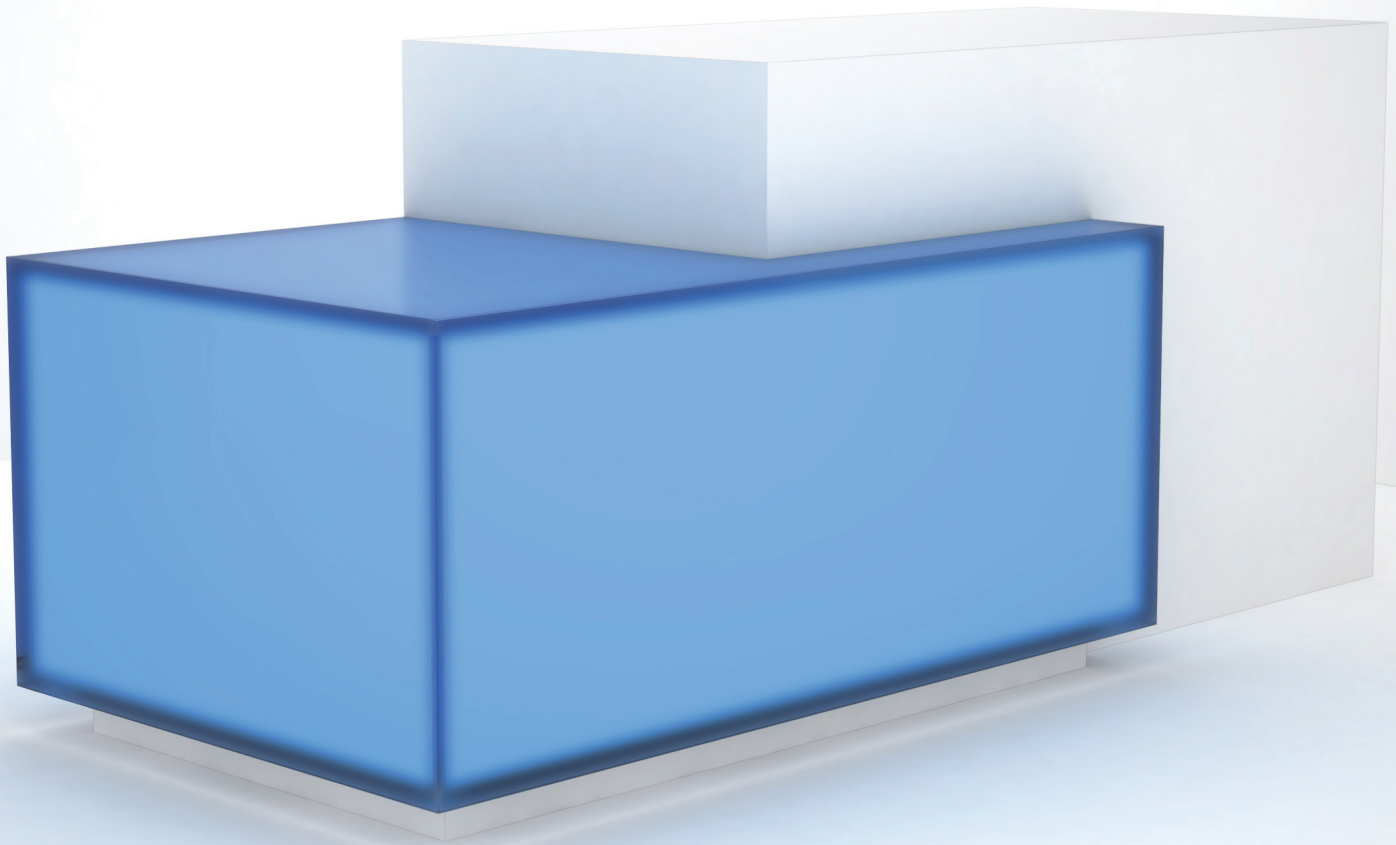


Ready To Go
SimpleSpec 600.02™

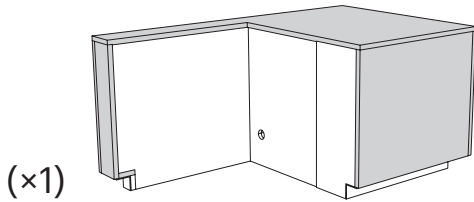
Installation Manual



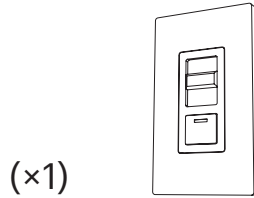
For more information, please visit 3-form.com or call 800.726.0126

JUNE 2018 | MAN-RTG-600-02 | REV 002 © 2018 3form, Inc. All rights reserved.

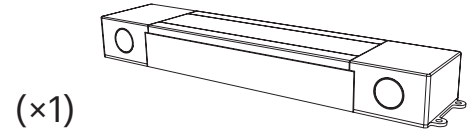
Contents Overview



**Panel with Lighting
Attached**



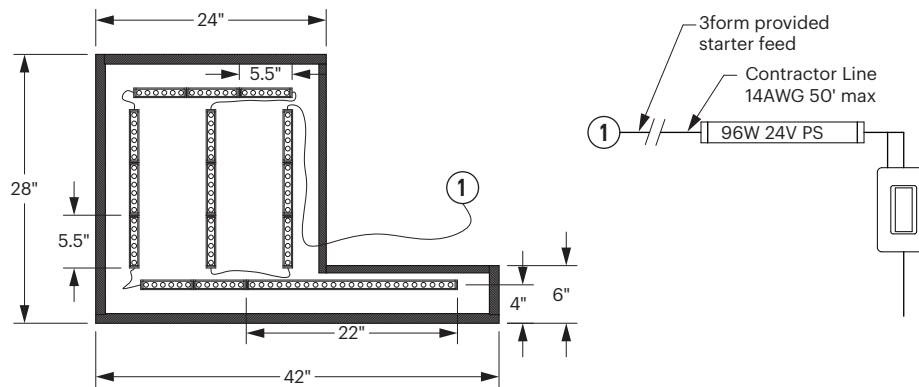
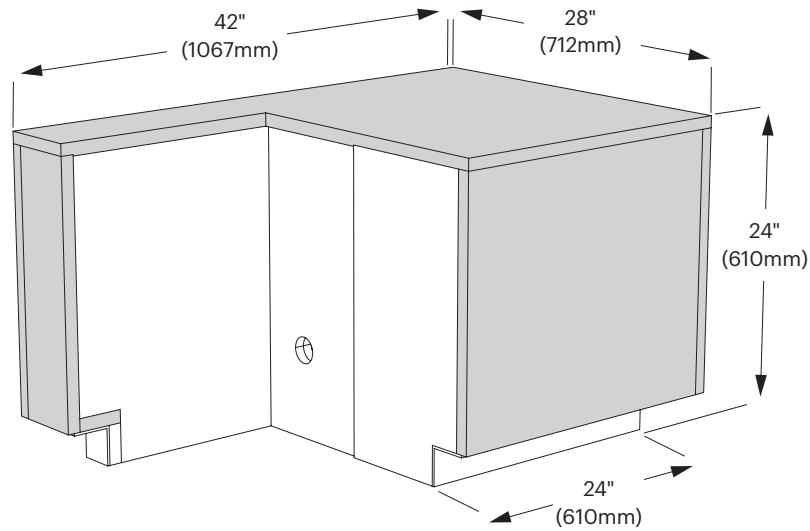
**0-10V Slide Control
Wall Dimmer**
3-60-497



**96W Dimmable
Power Supply**
3-60-765

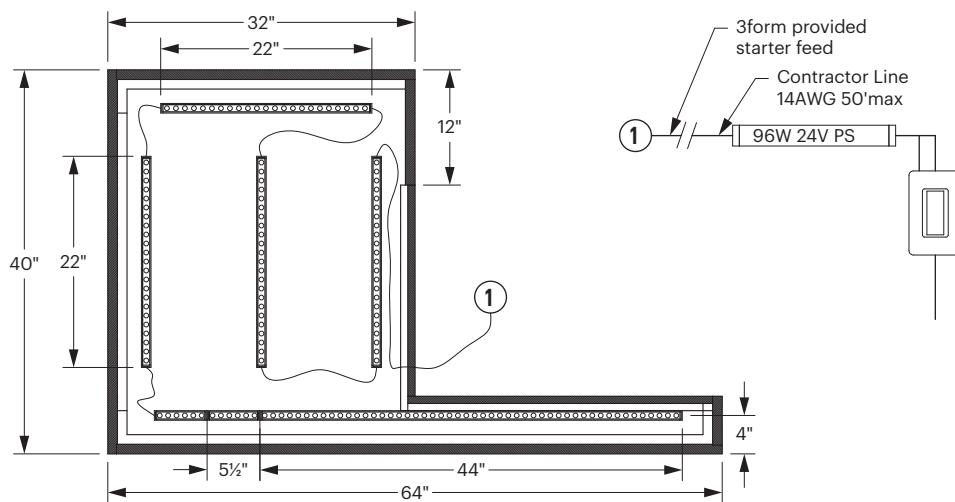
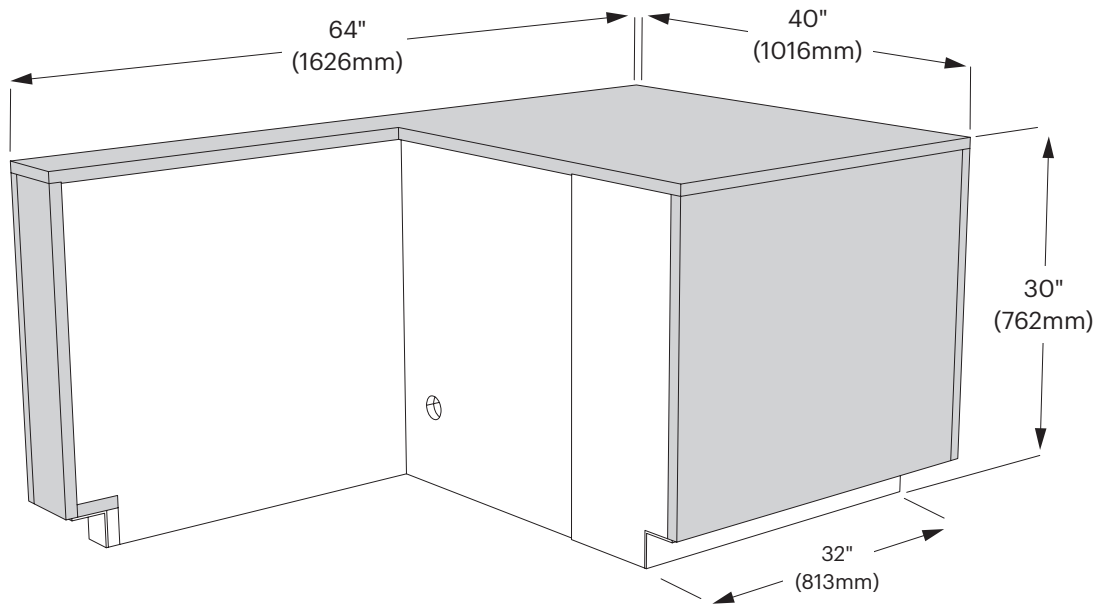
Overview

Small



Overview

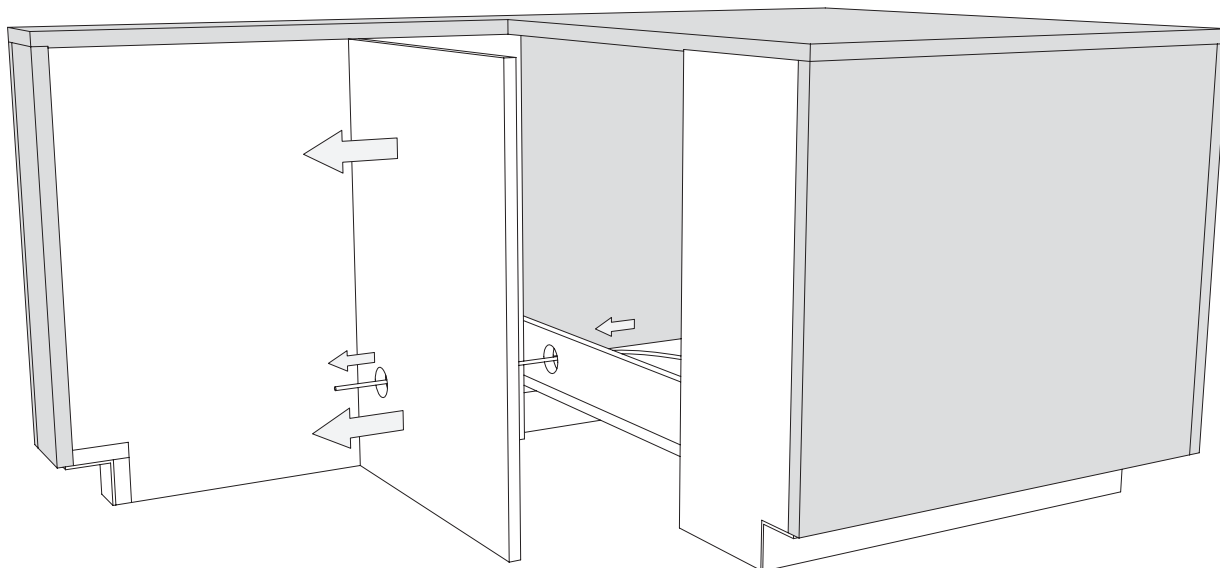
Large



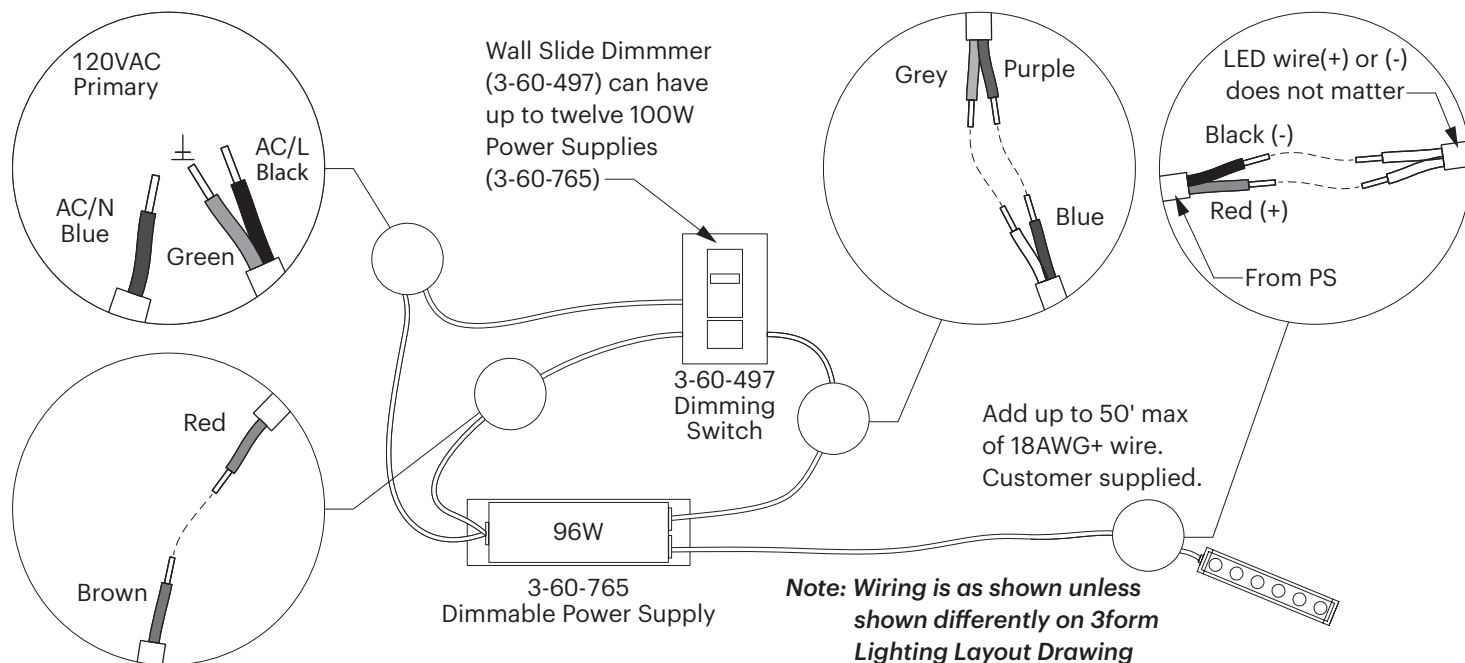
Installation

1 Connect Electrical

- a** Remove access panel to access lighting wiring. Pull wiring through access hole and replace access panel.



- b** Have a qualified electrician wire the lighting to the driver and test lights.



Installation

2 Install Panel

Once the lights are on, slide the unit against the desk. You can also screw through the desk into the white reflective panel if a more permanent installation is desired.

