

*Ready To Go*  
**SimpleSpec 600.06™**

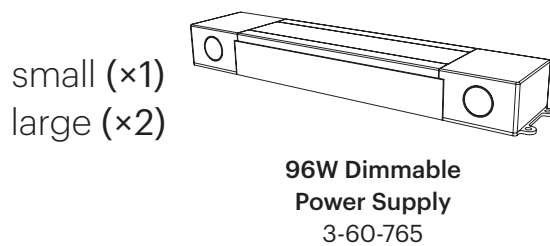
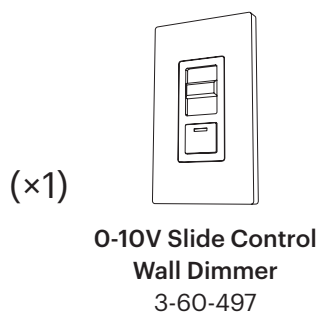
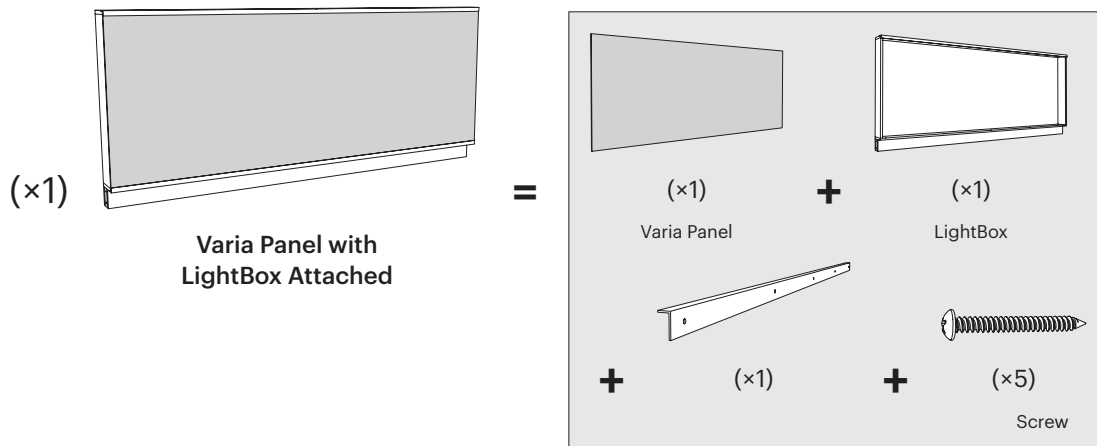
**Installation Manual**



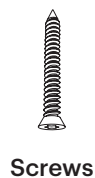
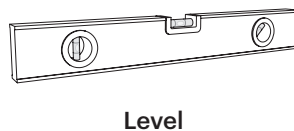
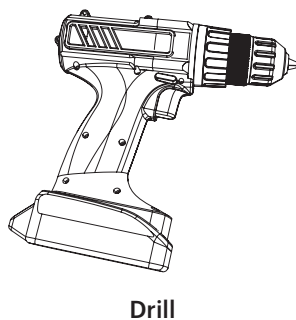
For more information, please visit [3-form.com](http://3-form.com) or call 800.726.0126

JUNE 2018 | MAN-RTG-600-06 | REV 002 © 2018 3form, Inc. All rights reserved.

### Contents Overview

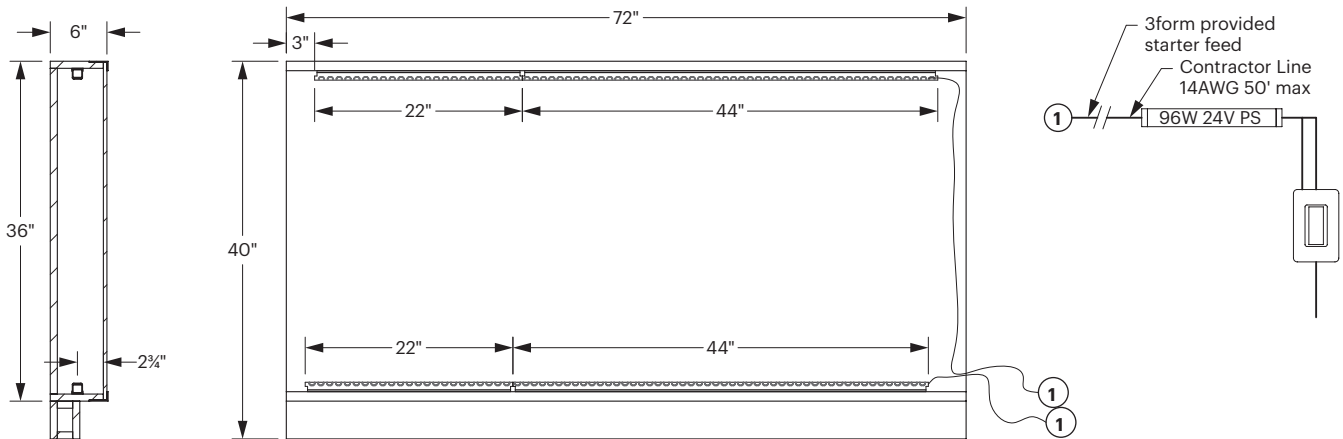
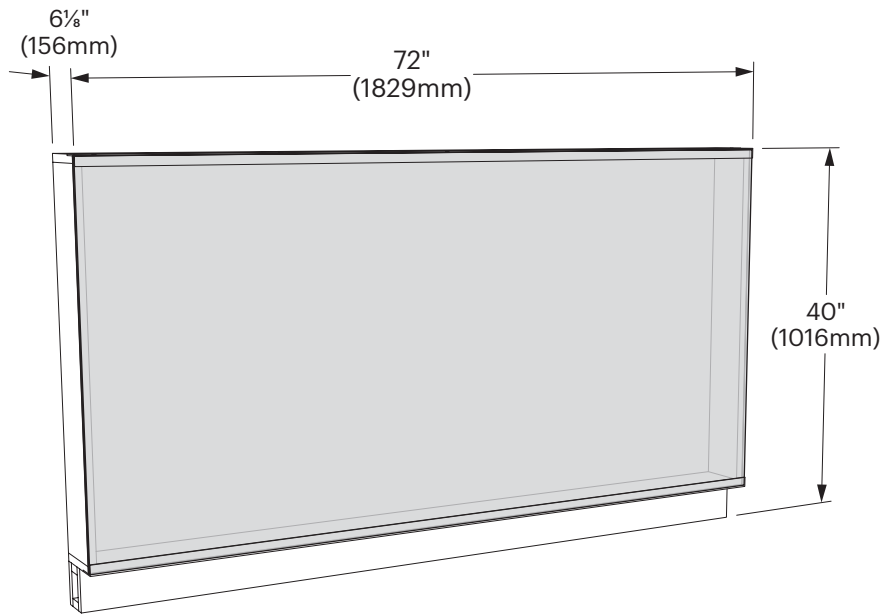


### Required Tools



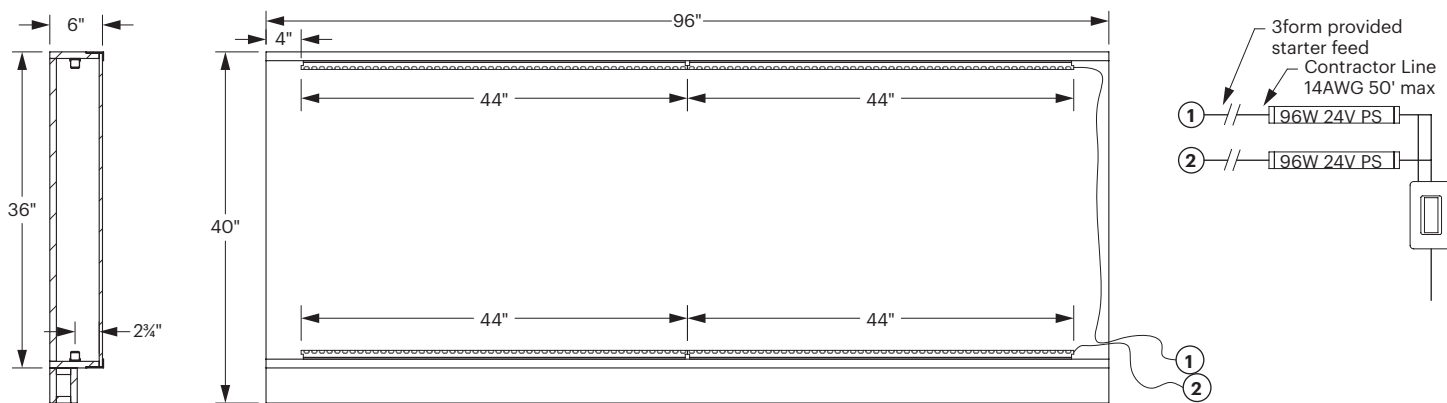
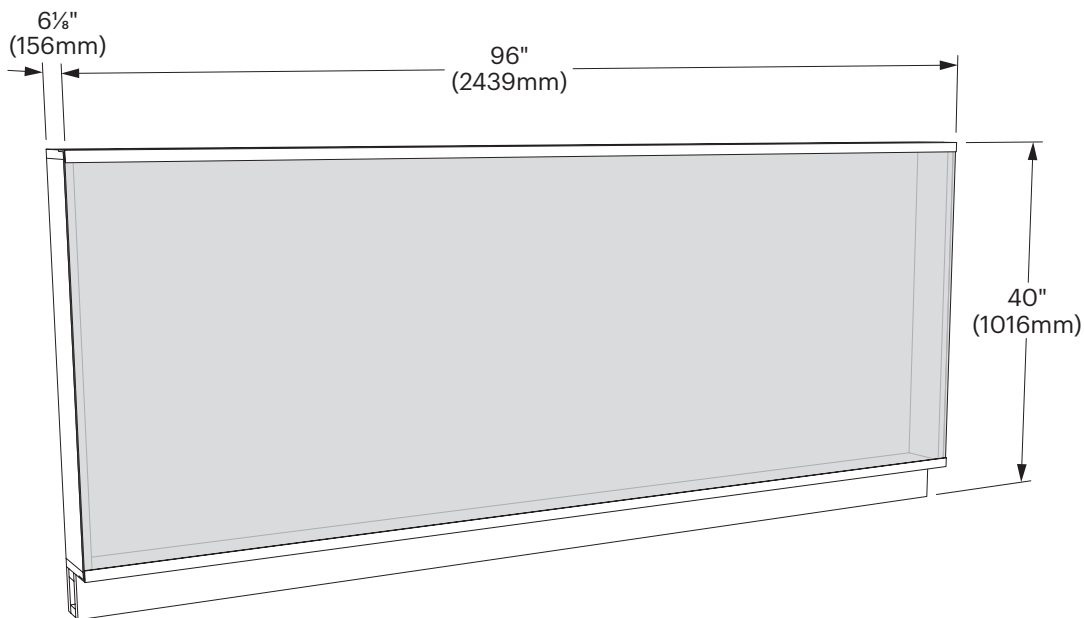
### Overview

#### Small



### Overview

#### Large



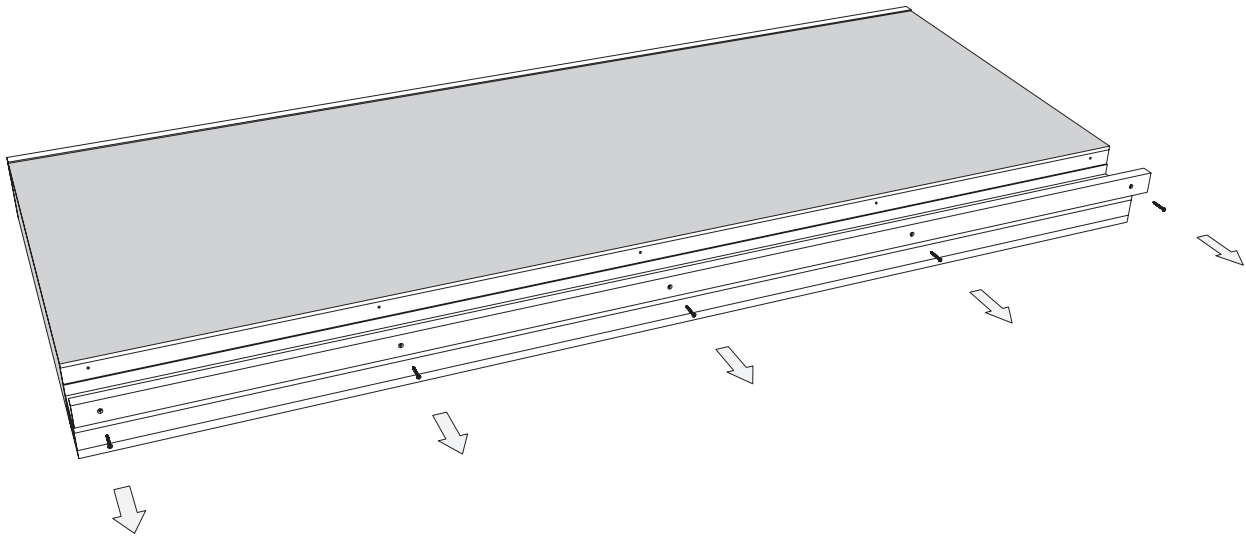
### Installation

#### 1 Prepare to Install

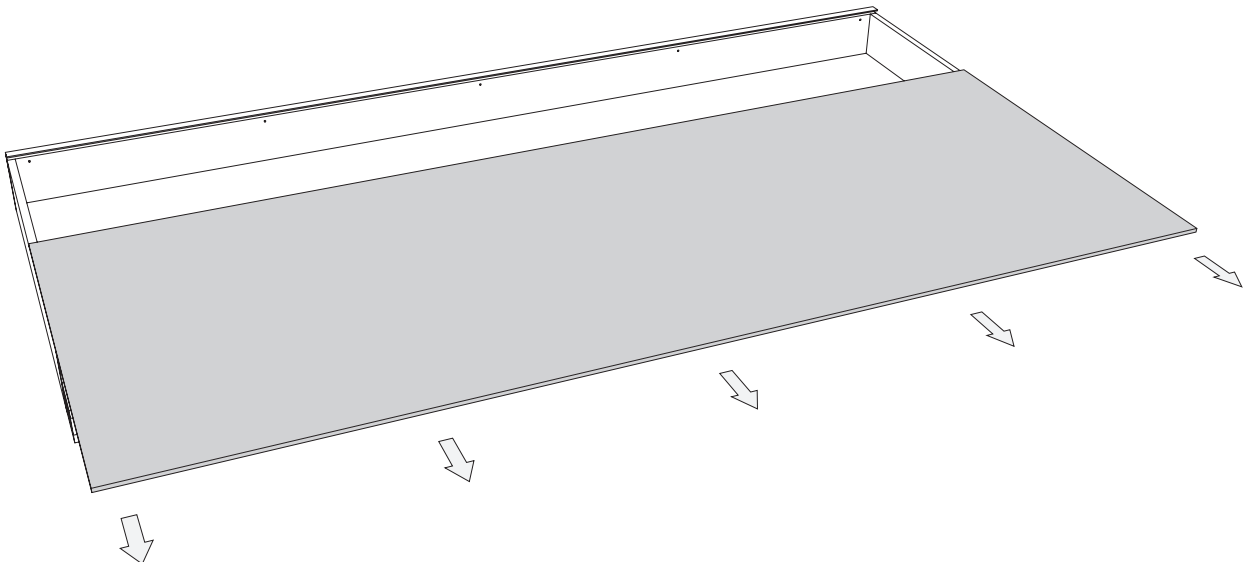
- a** 600.06 come fully assembled and ready to mount inside your reception desk or feature.

---

- b** Remove 3form decorative panel by unscrewing and removing the bottom angle bracket. This will allow the panel to slide out toward the bottom.



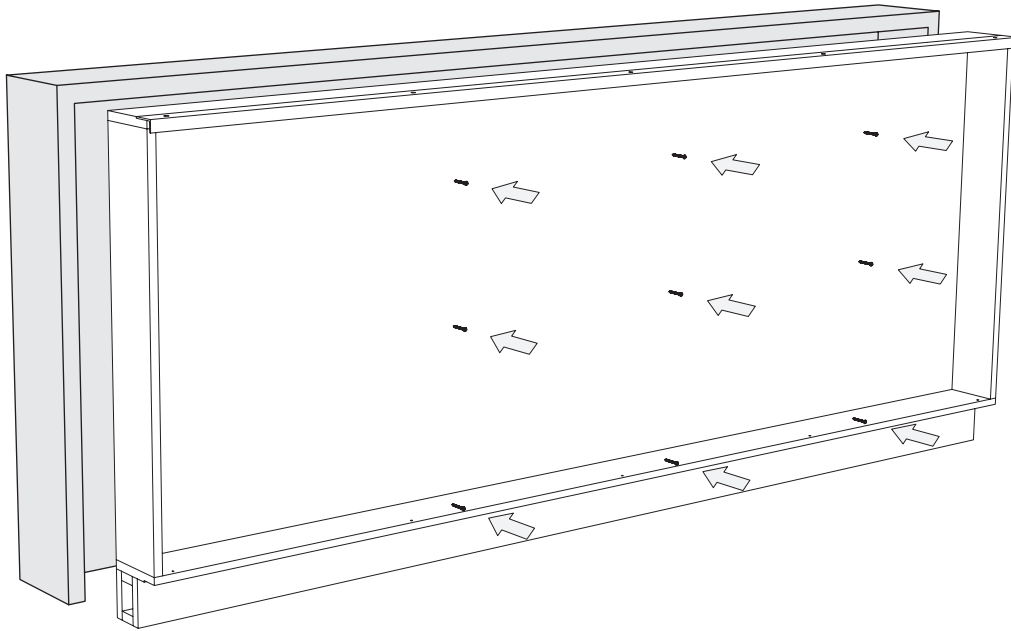
**c**



### Installation

## 2 Mount to Desk

Mount the 3form reflective box to the desk through the back reflective panel with screws or bolts.

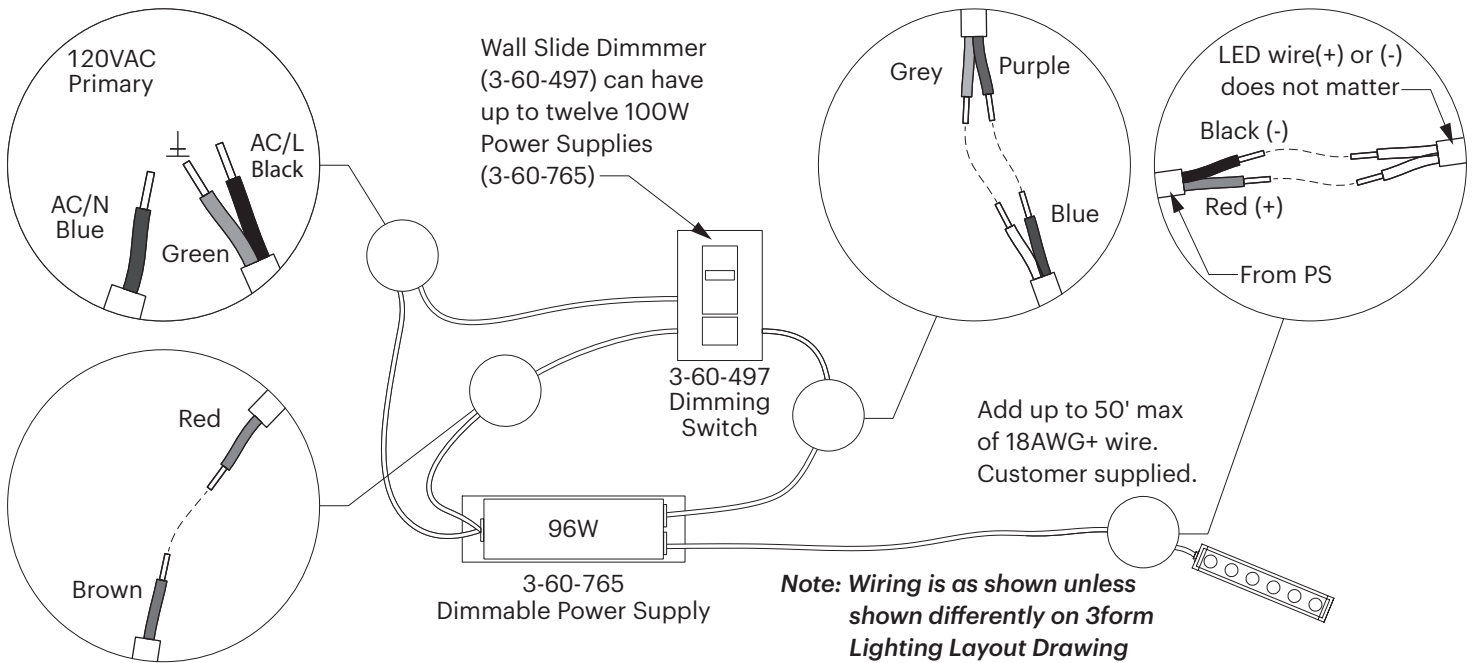


### Installation

## 3 Connect Electrical

Have a qualified electrician wire up the low voltage wires to the LED drivers and test lighting.

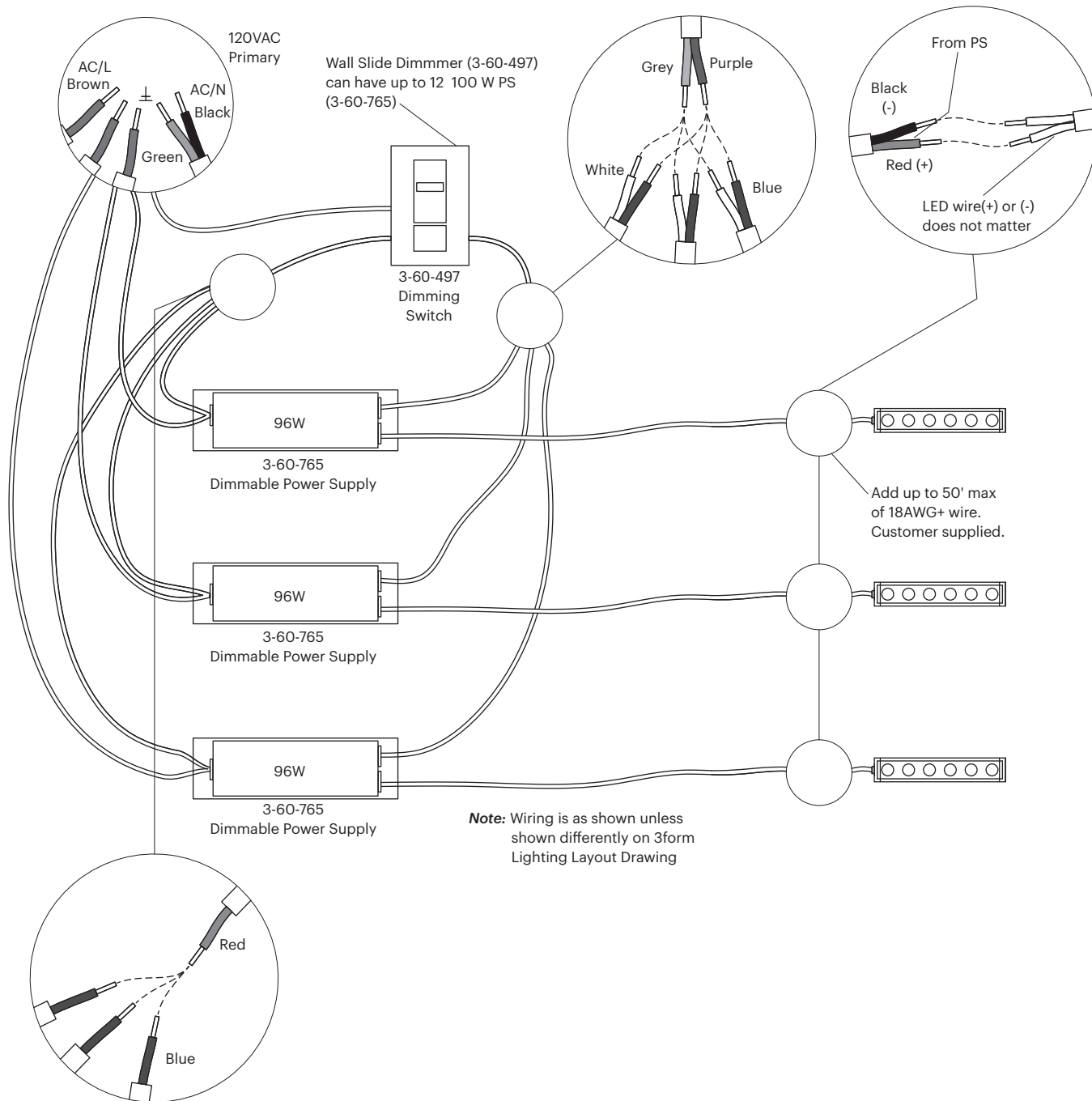
### a Wiring Diagram for Small 600.06



## Installation

### 3 Connect Electrical cont...

#### b Wiring Diagram for Large 600.06

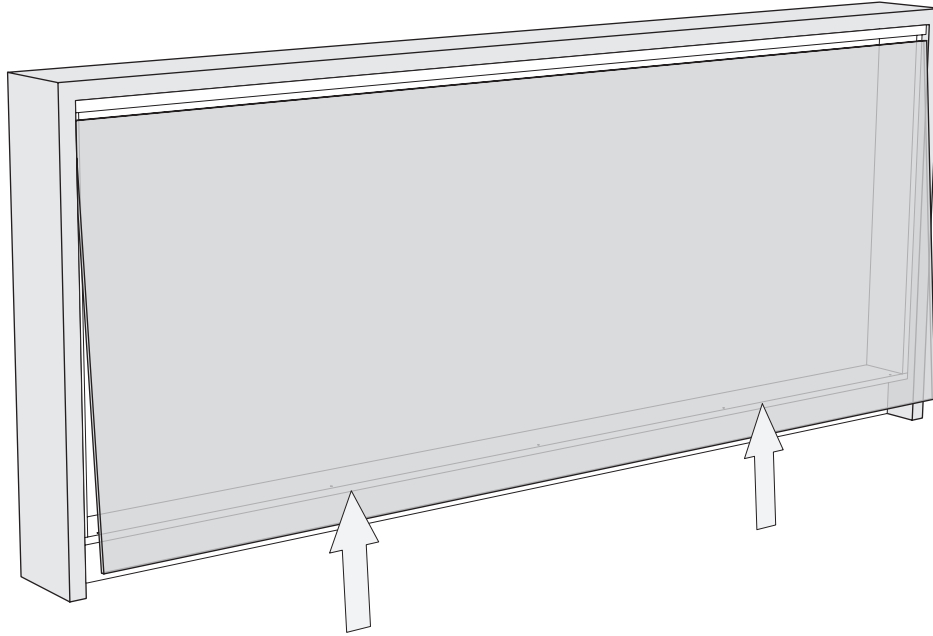




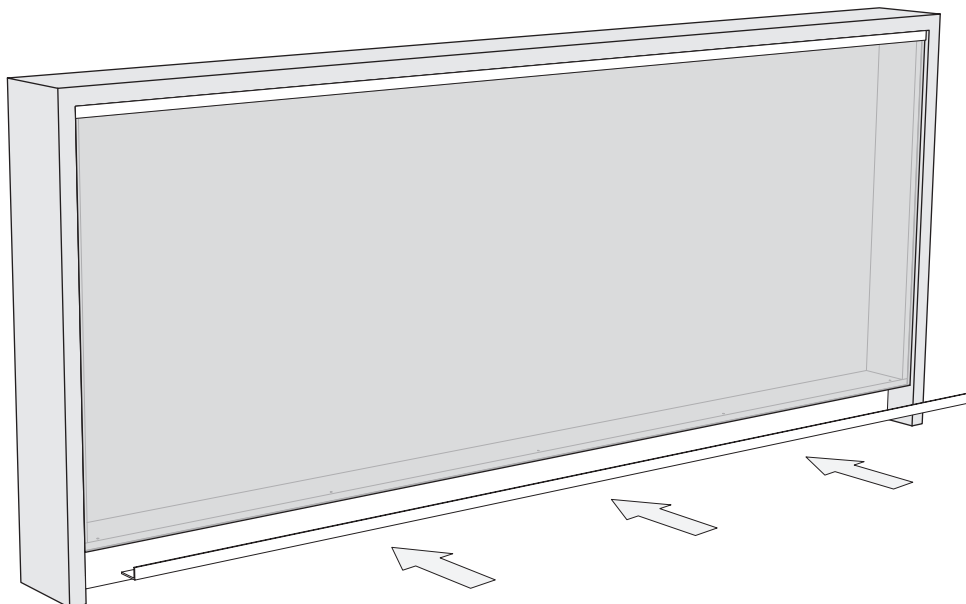
### Installation

#### 4 Reinsert the Panel

- a** Slide the 3form panel back into the upper brackets.



- b** Replace the bottom angle bracket and screws to hold panel in place.



### Installation

#### 4 Reinsert the Panel cont...

- C** Toe kick area does not come finished and must be covered on site by installer to match toe kick spec from Architect.

