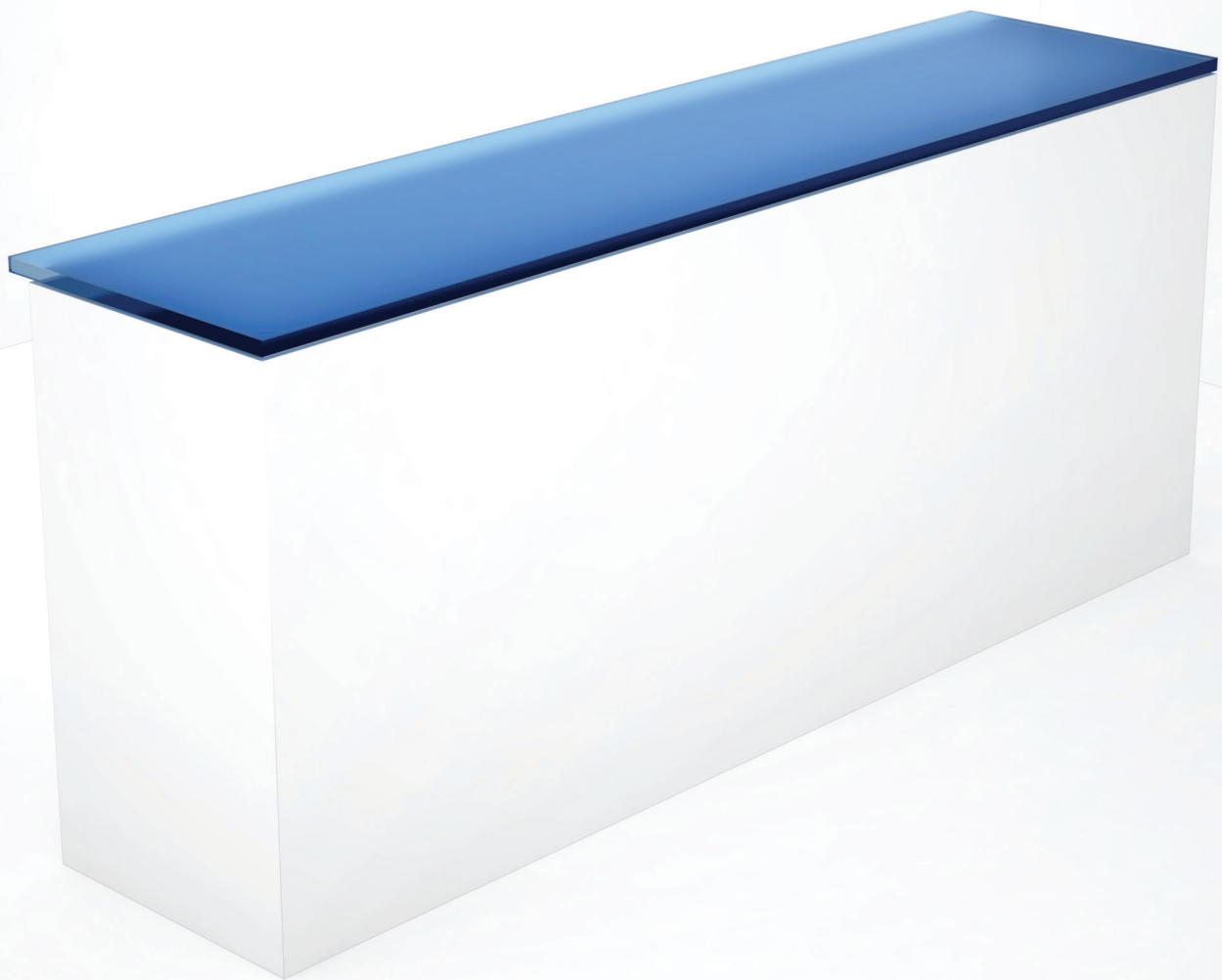


*Ready To Go*  
**SimpleSpec 600.17™**

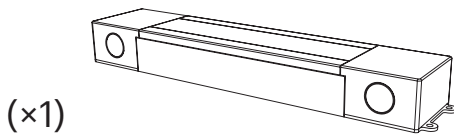
**Installation Manual**



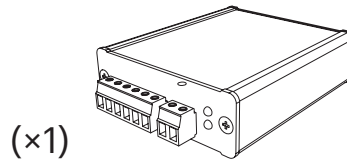
---

For more information, please visit [3-form.com](http://3-form.com) or call 800.726.0126  
JUNE 2018 | MAN-RTG-600-17 | REV 002 © 2018 3form, Inc. All rights reserved.

### Contents Overview



**96W Dimmable  
Power Supply**  
3-60-765



**3 Channel PWM  
DMX Interface**  
3-60-000



**Light Drive RGB -  
DMX Wall Control**  
3-60-510



**3M VHB WHITE Tape**  
3-20-313



**100' Patch Cable**  
3-60-002

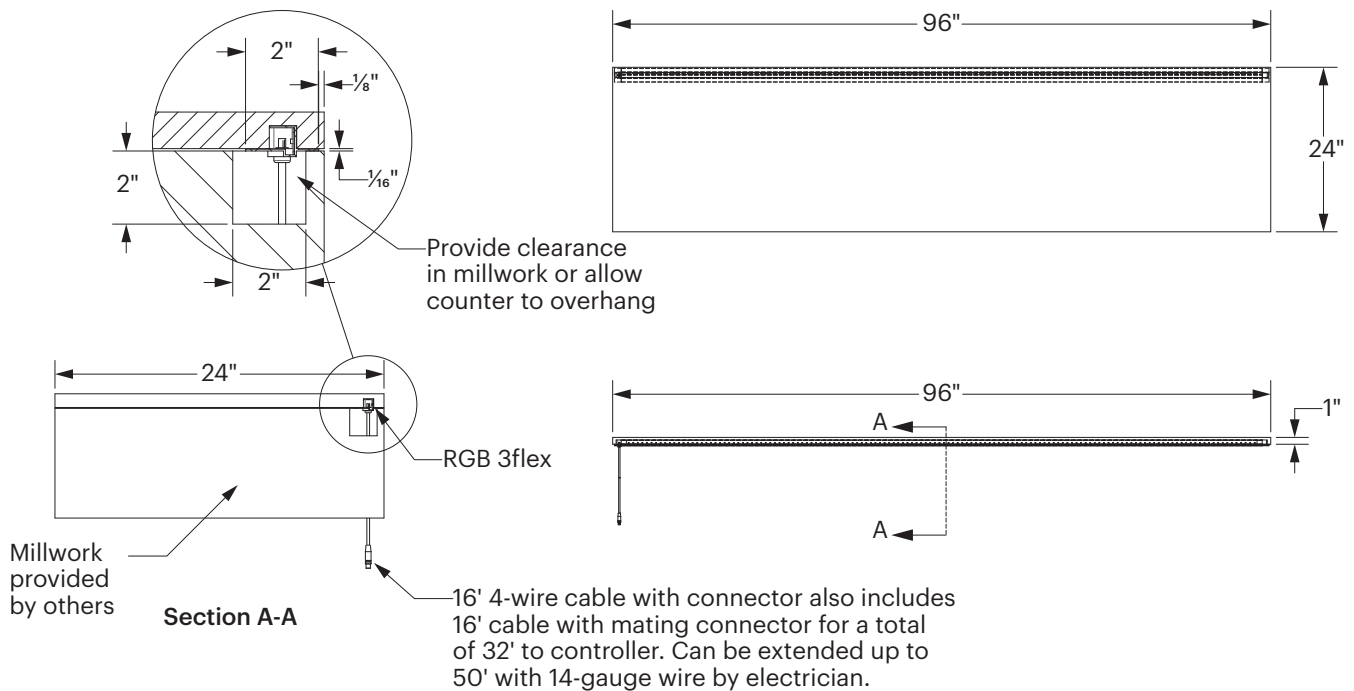
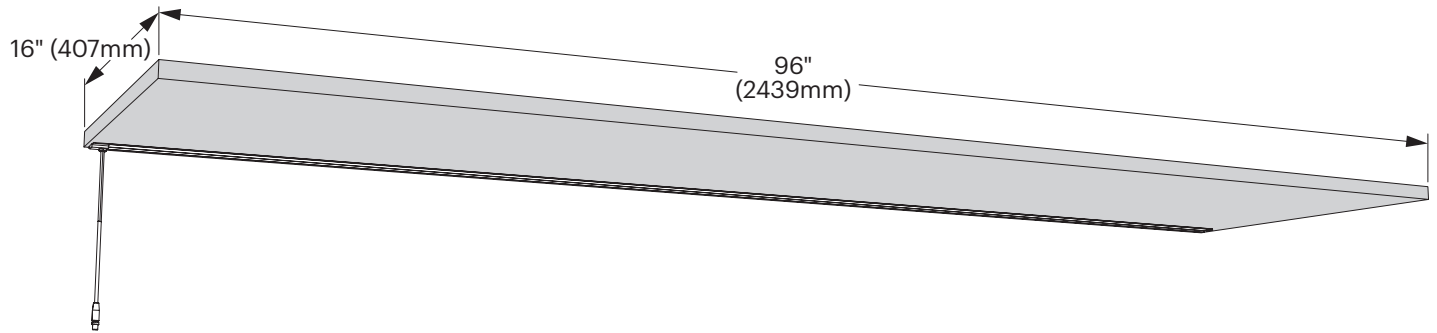
---

### Required Tools



**Clear Silicone**

### Overview



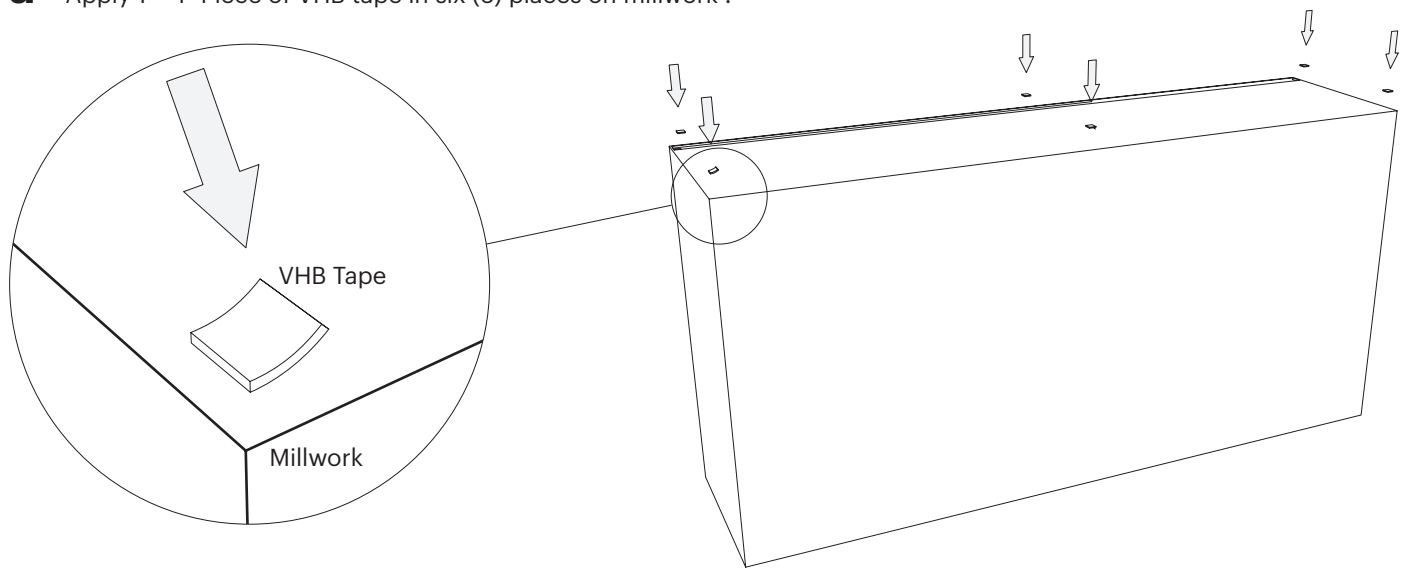
### Installation

#### 1 Preparation

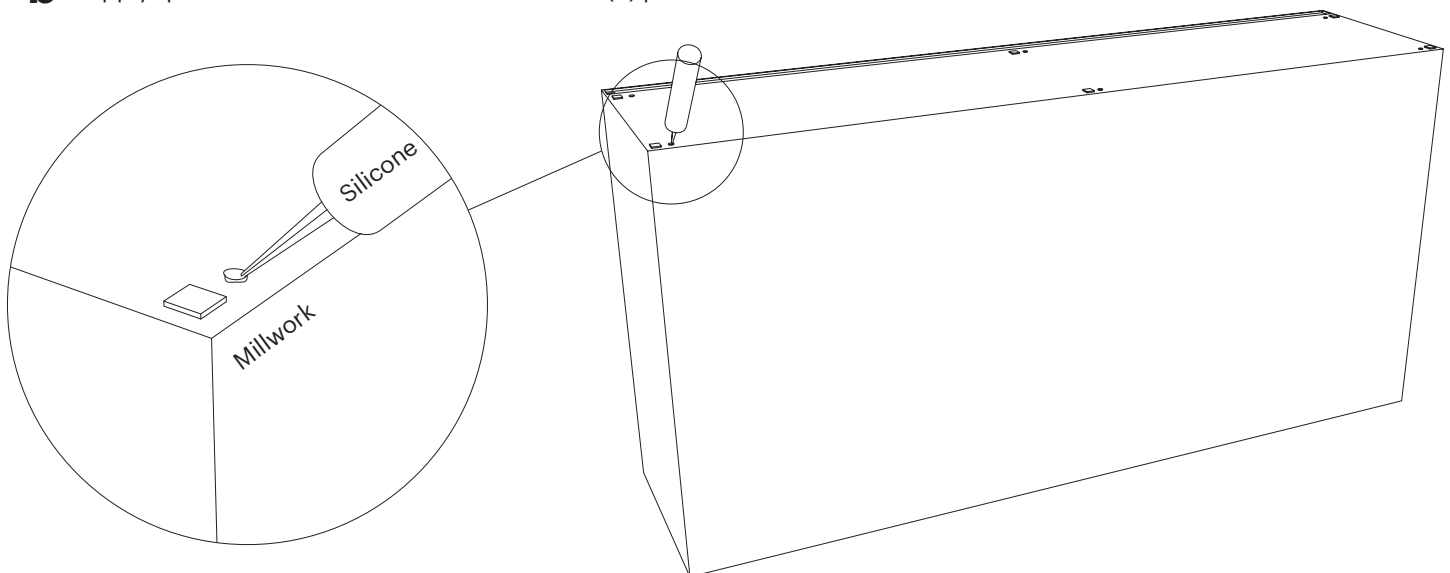
Make sure Chroma and millwork are free from dirt and debris.

#### 2 Apply Adhesives

**a** Apply 1"× 1" Piece of VHB tape in six (6) places on millwork .



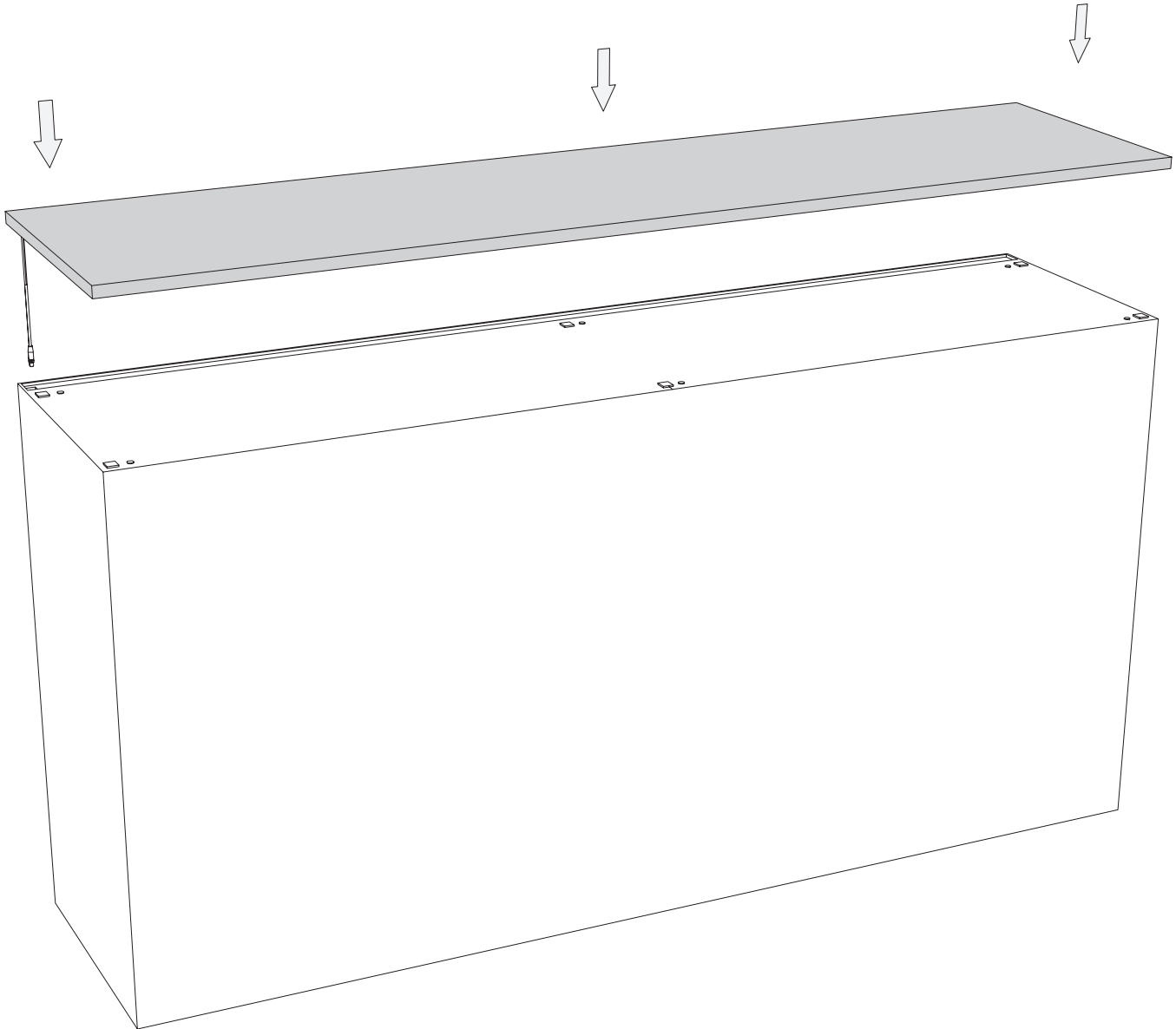
**b** Apply quarter sized dab of clear silicone in six (6) places.



### Installation

#### 3 Place Panel

Make sure all tape sticks properly until silicone dries. Tape or clamp as needed to achieve good adhesion.



## Installation

### 4 Connect Electrical

Have a qualified electrician connect the wiring and test lighting.

