

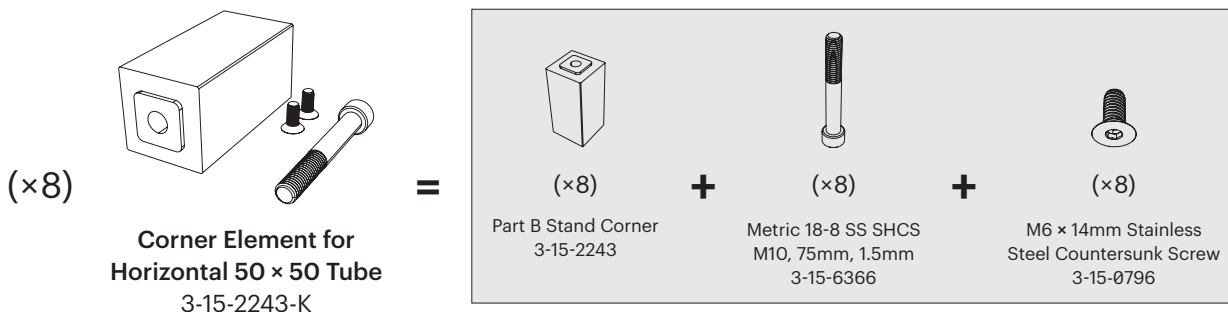
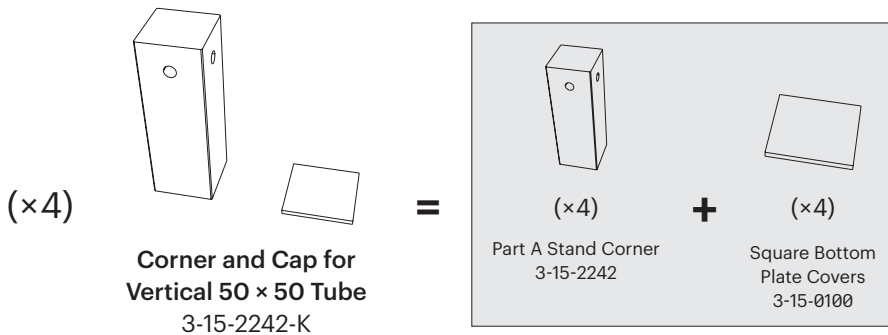
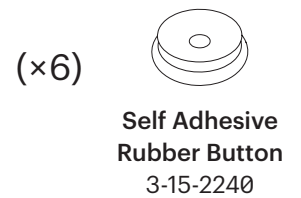
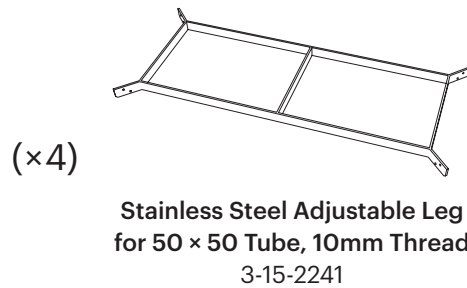
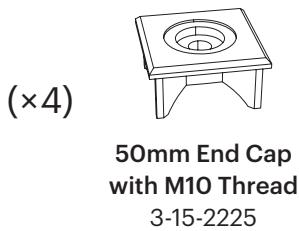
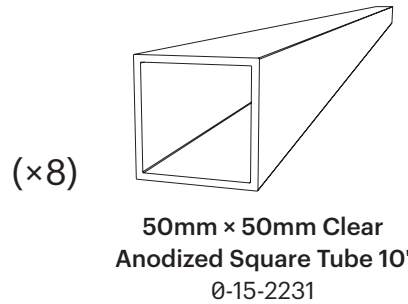
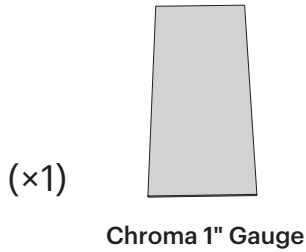
Ready To Go
SimpleSpec 650.03™

Installation Manual

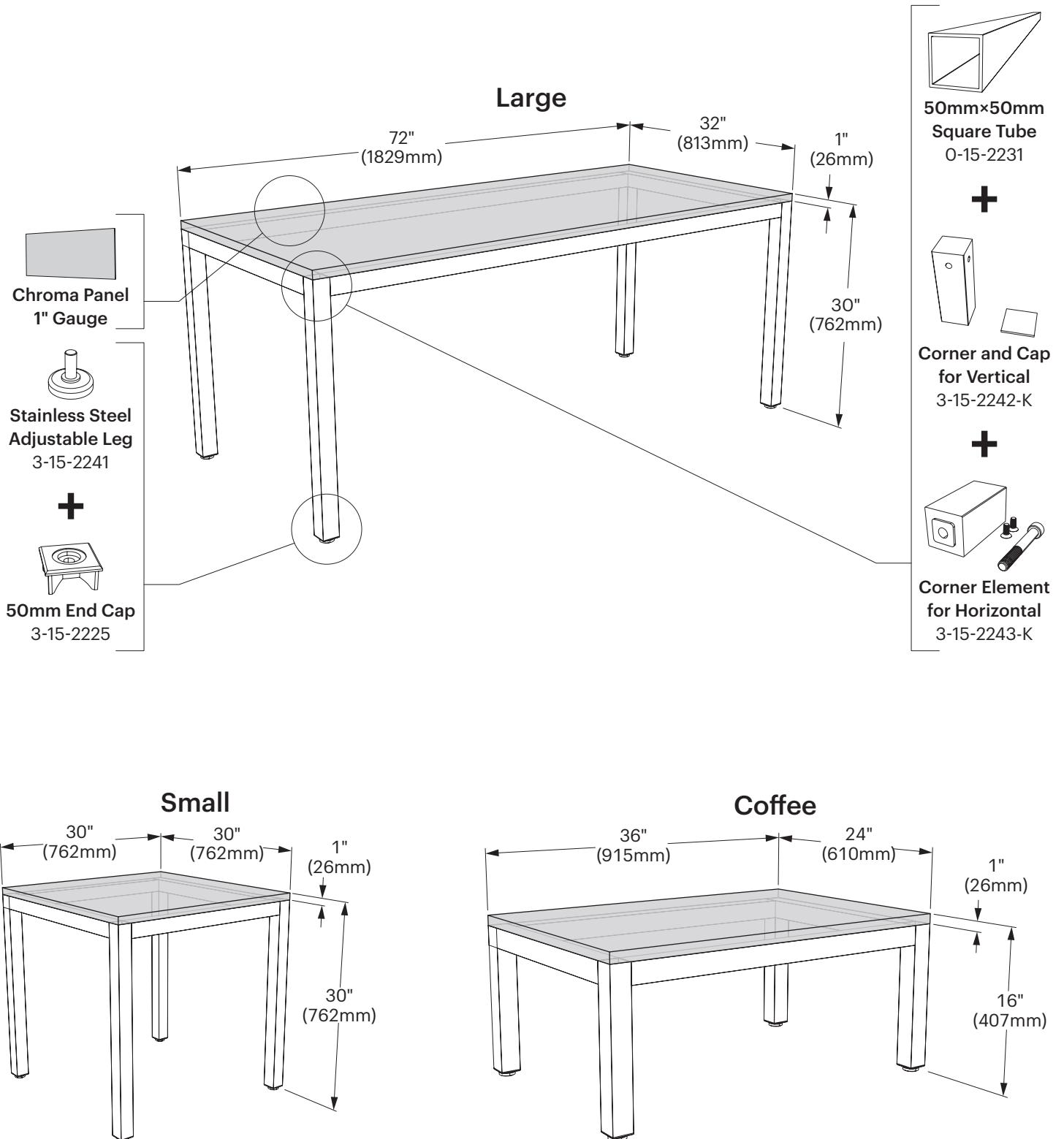


For more information, please visit 3-form.com or call 800.726.0126
MARCH 2018 | MAN-RTG-650-03 | REV 002 © 2018 3form, Inc. All rights reserved.

Contents Overview



Overview

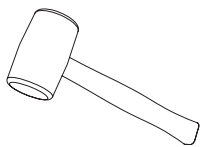


Installation

Required Tools



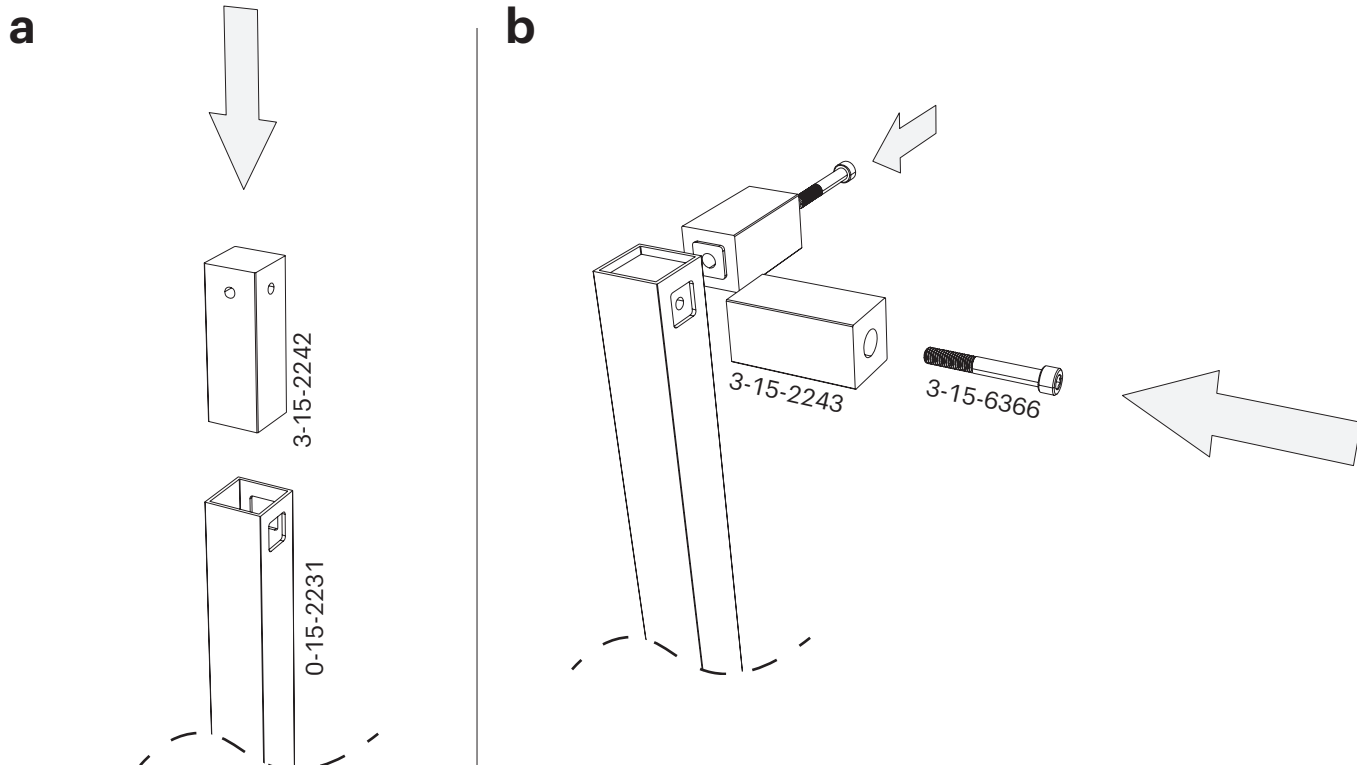
Metric Allen Wrenches



Rubber Mallet

1 Attach Corner Blocks to Table Legs

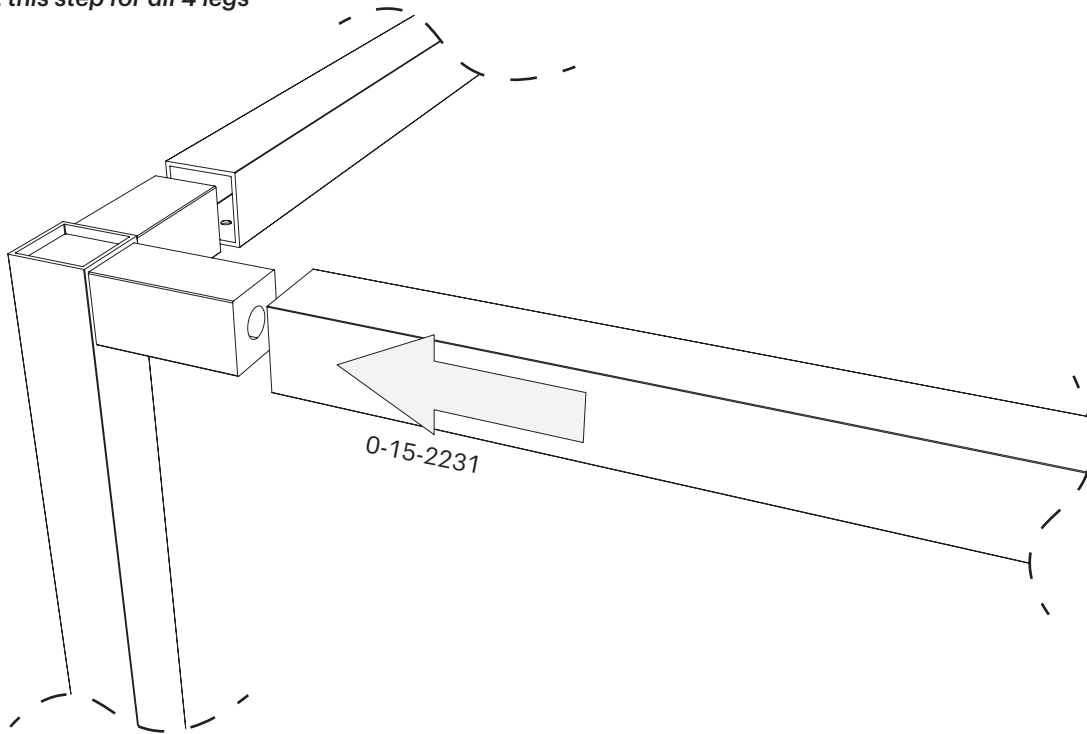
**Repeat this step for all 4 legs*



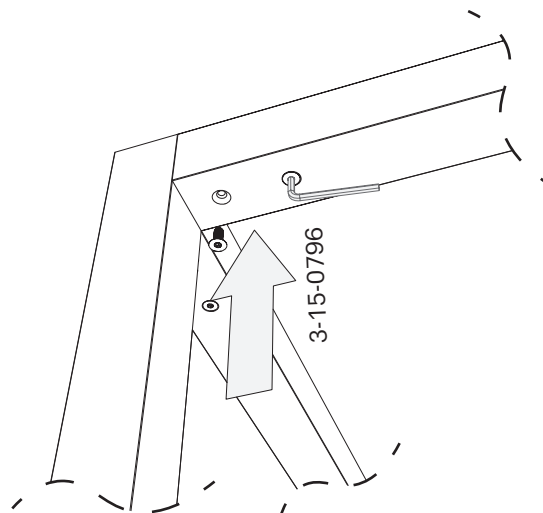
Installation

2 Attach Square Tube Profiles to Table Legs

a *Repeat this step for all 4 legs

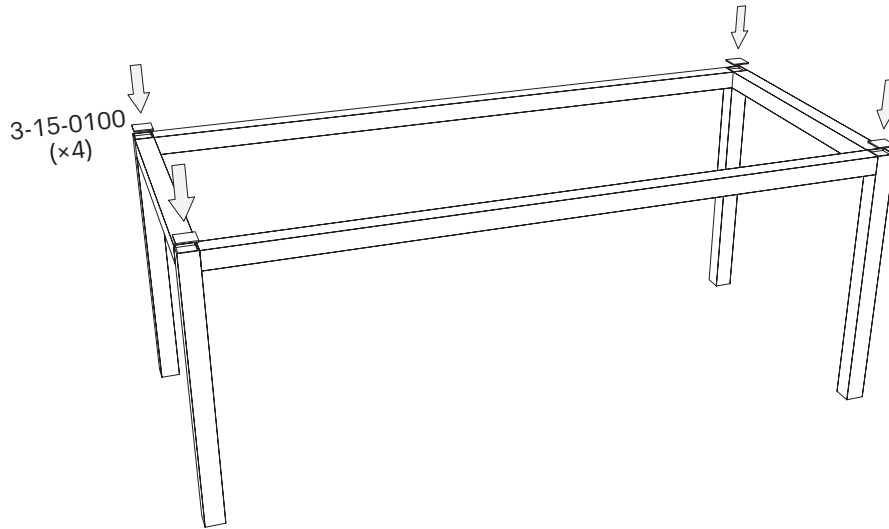


b Attach profile to leg with screw (3-15-0796) on underside.

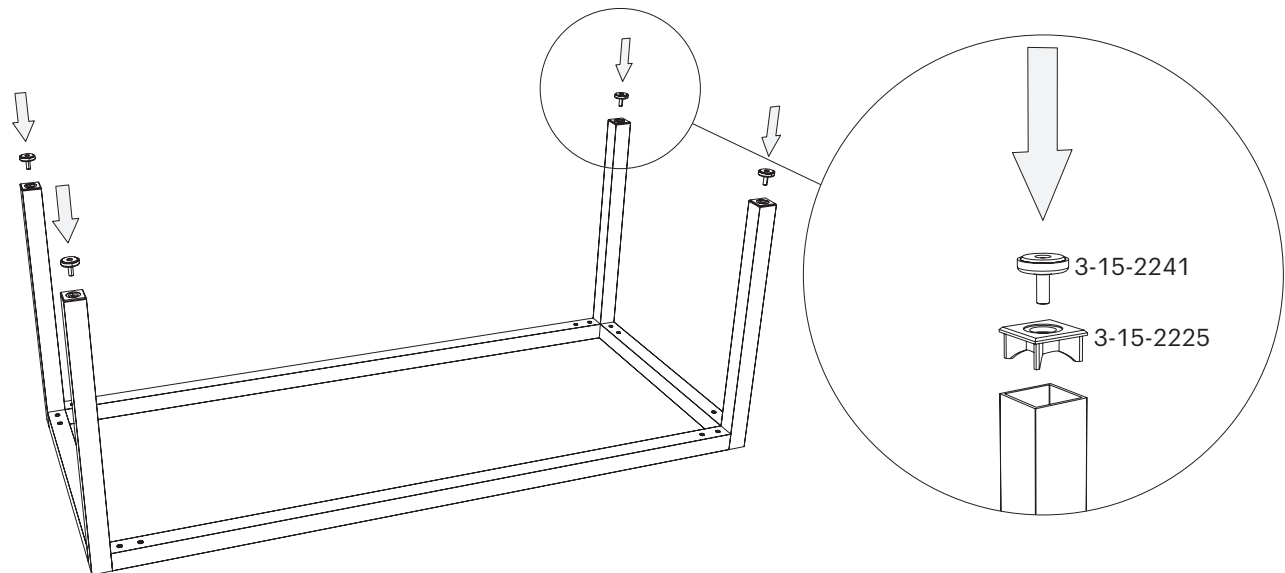


Installation

3 Attach Corner Covers

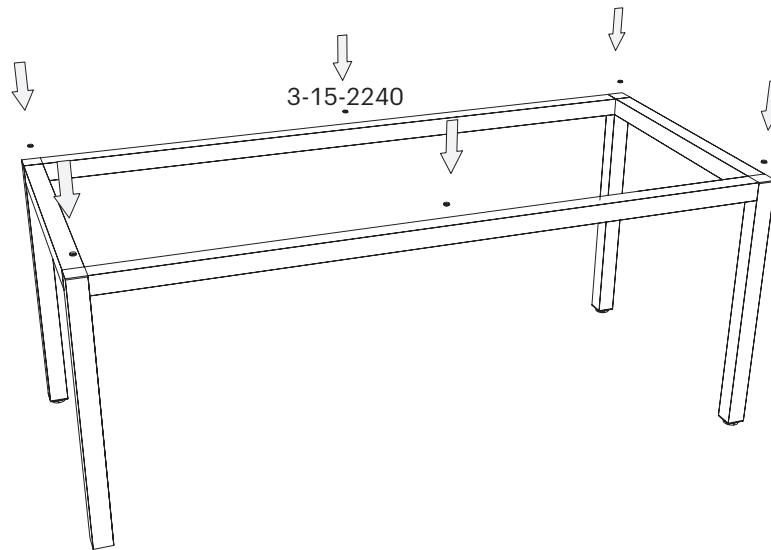


4 Attach Feet to Legs



Installation

5 Attach Stick-On Buttons to Frame where Panel will Sit



6 Place Table Top

