

Ready To Go

SimpleSpec 650.06™

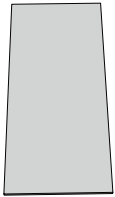
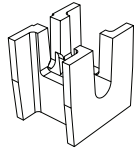
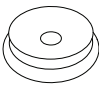
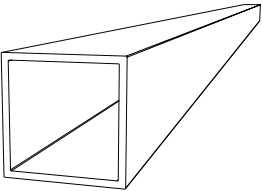
Installation Manual

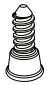

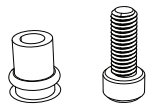








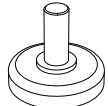
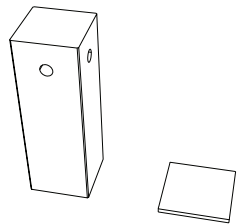
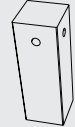

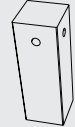

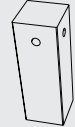

For more information, please visit 3-form.com or call 800.726.0126

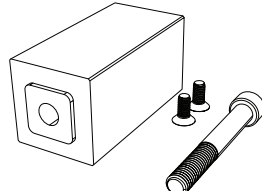
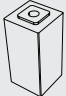


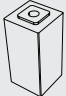


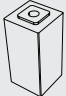


JUNE 2017 | MAN-RTG-650-06 | REV 001 © 2017 3form, Inc. All rights reserved.

Contents Overview

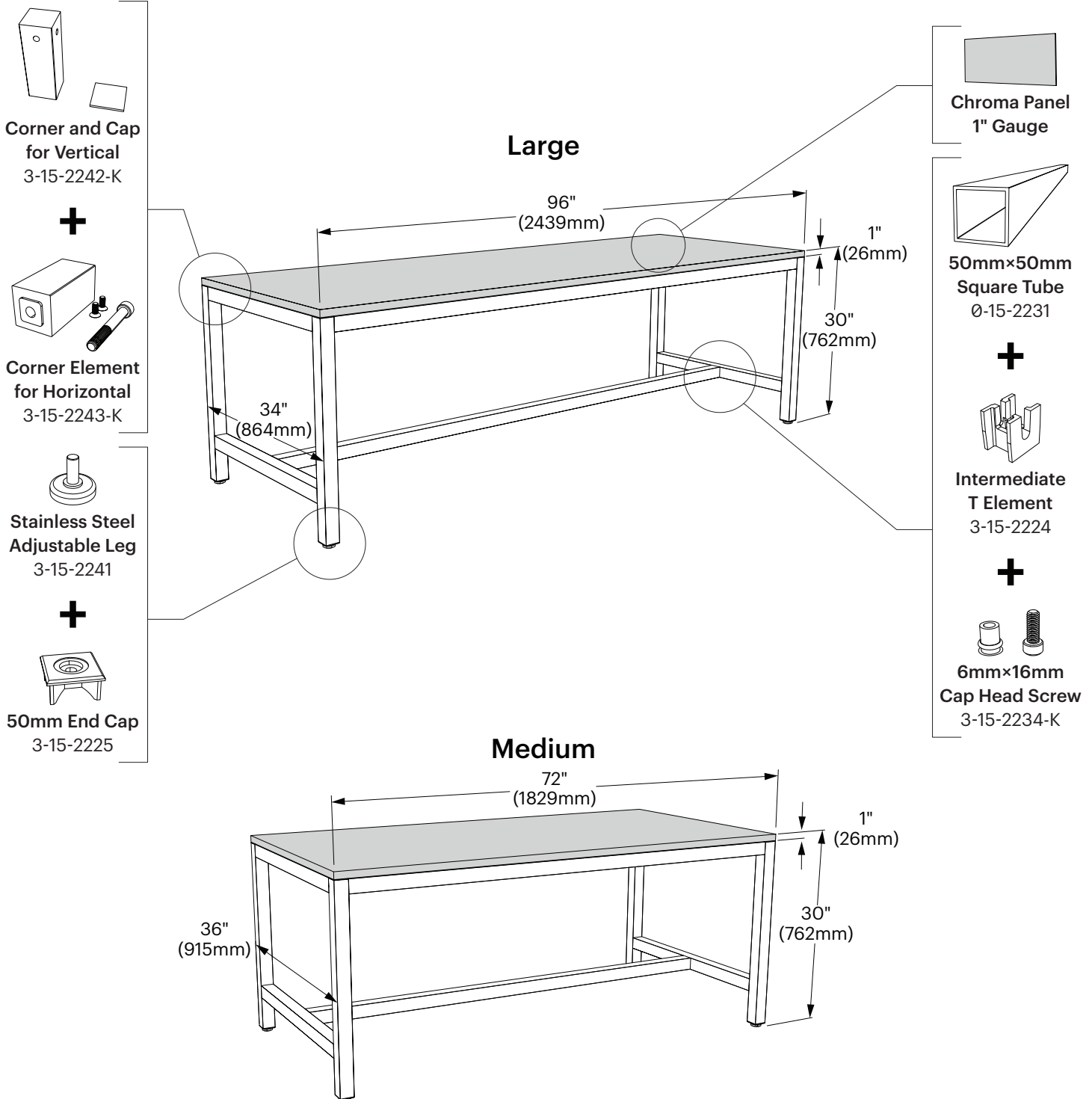
 (×1) Chroma 1" Gauge	 (×6) Intermediate T Element 3-15-2224	 (×6) Self Adhesive Rubber Button 3-15-2240	 (×8) 50mm × 50mm Clear Anodized Square Tube 10' 0-15-2231
---	---	---	---

 (×6) 5mm × 17mm Connector Screws 3-15-2236	 (×4) 50mm End Cap with M10 Thread 3-15-2225	 (×6) 6mm × 16mm Cap Head Screw 3-15-2234-K	=	<table border="0" style="width: 100%;"> <tr> <td style="text-align: center;">  (×4) </td> <td style="text-align: center;">+</td> <td style="text-align: center;">  (×4) </td> </tr> <tr> <td style="text-align: center;"> 6mm × 16mm Cap Head Screw 3-15-2234 </td> <td></td> <td style="text-align: center;"> River Nut M6 × 1 3-15-2237 </td> </tr> </table>	 (×4)	+	 (×4)	6mm × 16mm Cap Head Screw 3-15-2234		River Nut M6 × 1 3-15-2237
 (×4)	+	 (×4)								
6mm × 16mm Cap Head Screw 3-15-2234		River Nut M6 × 1 3-15-2237								

 (×4) Stainless Steel Adjustable Leg for 50 × 50 Tube, 10mm Thread 3-15-2241	 (×4) Corner and Cap for Vertical 50 × 50 Tube 3-15-2242-K	=	<table border="0" style="width: 100%;"> <tr> <td style="text-align: center;">  (×4) </td> <td style="text-align: center;">+</td> <td style="text-align: center;">  (×4) </td> </tr> <tr> <td style="text-align: center;"> Part A Stand Corner 3-15-2242 </td> <td></td> <td style="text-align: center;"> Square Bottom Plate Covers 3-15-0100 </td> </tr> </table>	 (×4)	+	 (×4)	Part A Stand Corner 3-15-2242		Square Bottom Plate Covers 3-15-0100
 (×4)	+	 (×4)							
Part A Stand Corner 3-15-2242		Square Bottom Plate Covers 3-15-0100							

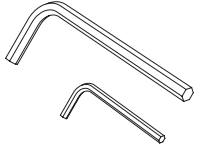
 (×8) Corner Element for Horizontal 50 × 50 Tube 3-15-2243-K	=	<table border="0" style="width: 100%;"> <tr> <td style="text-align: center;">  (×8) </td> <td style="text-align: center;">+</td> <td style="text-align: center;">  (×8) </td> <td style="text-align: center;">+</td> <td style="text-align: center;">  (×8) </td> </tr> <tr> <td style="text-align: center;"> Part B Stand Corner 3-15-2243 </td> <td></td> <td style="text-align: center;"> Metric 18-8 SS SHCS M10, 75mm, 1.5mm 3-15-6366 </td> <td></td> <td style="text-align: center;"> M6 × 14mm Stainless Steel Countersunk Screw 3-15-0796 </td> </tr> </table>	 (×8)	+	 (×8)	+	 (×8)	Part B Stand Corner 3-15-2243		Metric 18-8 SS SHCS M10, 75mm, 1.5mm 3-15-6366		M6 × 14mm Stainless Steel Countersunk Screw 3-15-0796
 (×8)	+	 (×8)	+	 (×8)								
Part B Stand Corner 3-15-2243		Metric 18-8 SS SHCS M10, 75mm, 1.5mm 3-15-6366		M6 × 14mm Stainless Steel Countersunk Screw 3-15-0796								

Overview

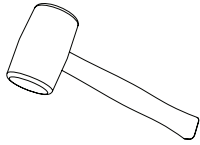


Installation

Required Tools



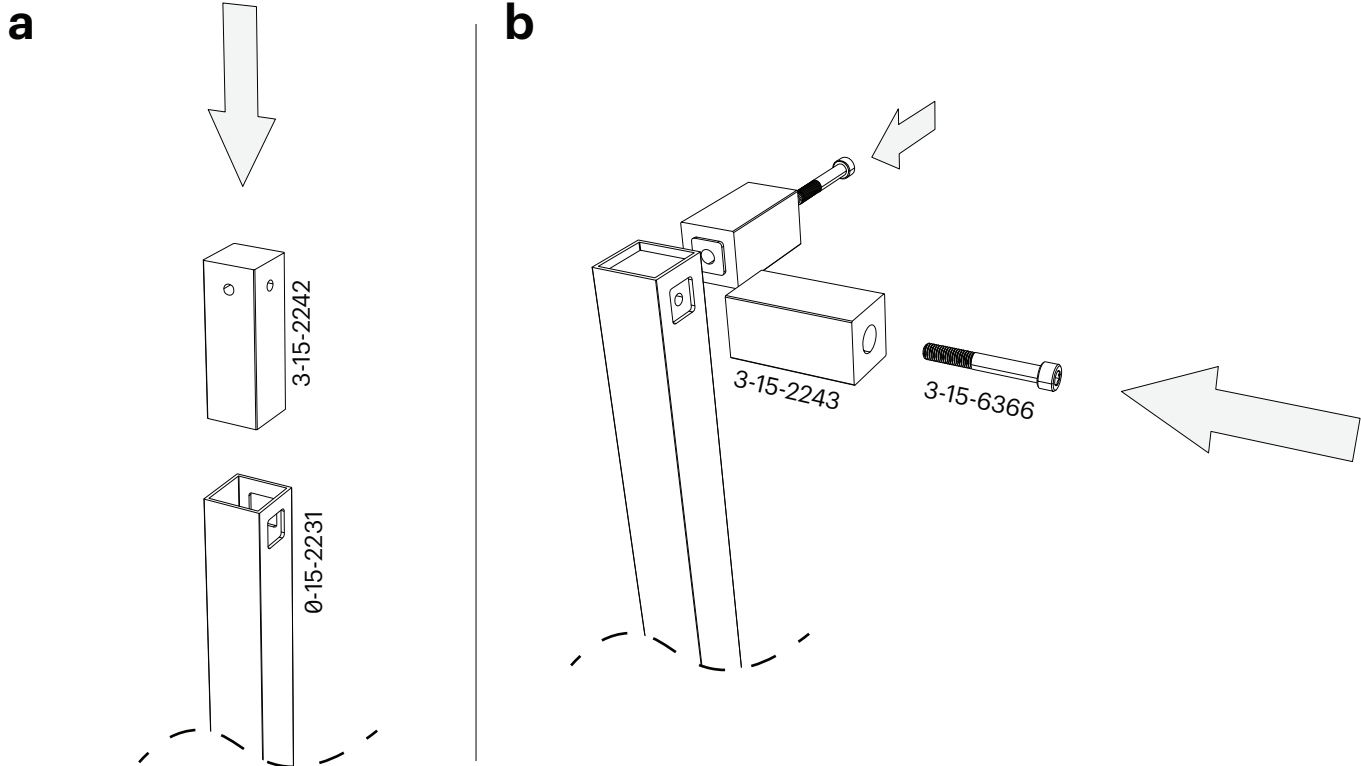
Metric Allen Wrenches



Rubber Mallet

1 Attach Corner Blocks to Table Legs

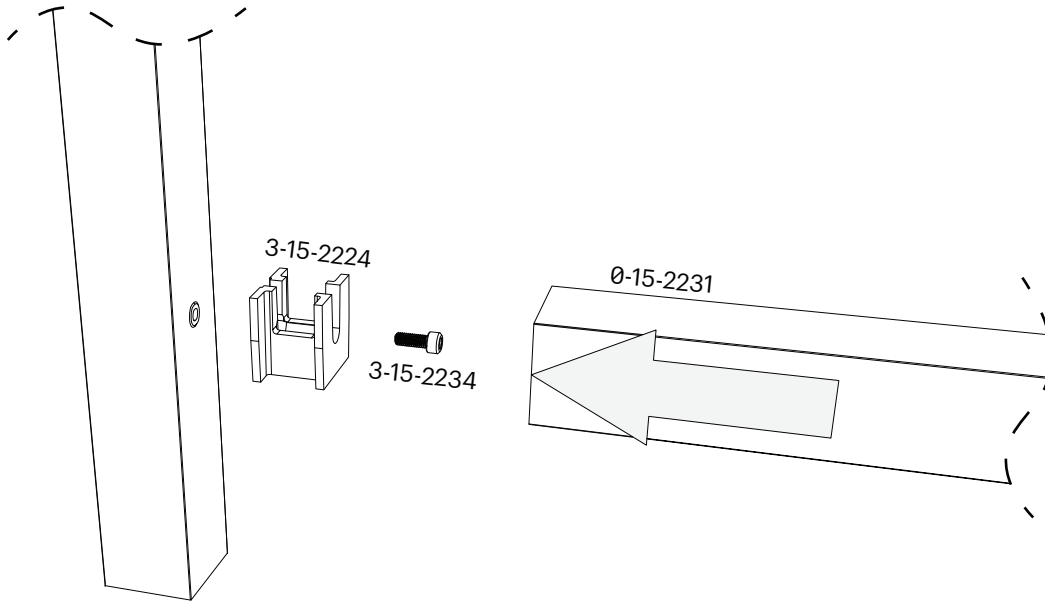
**Repeat this step for all 4 legs*



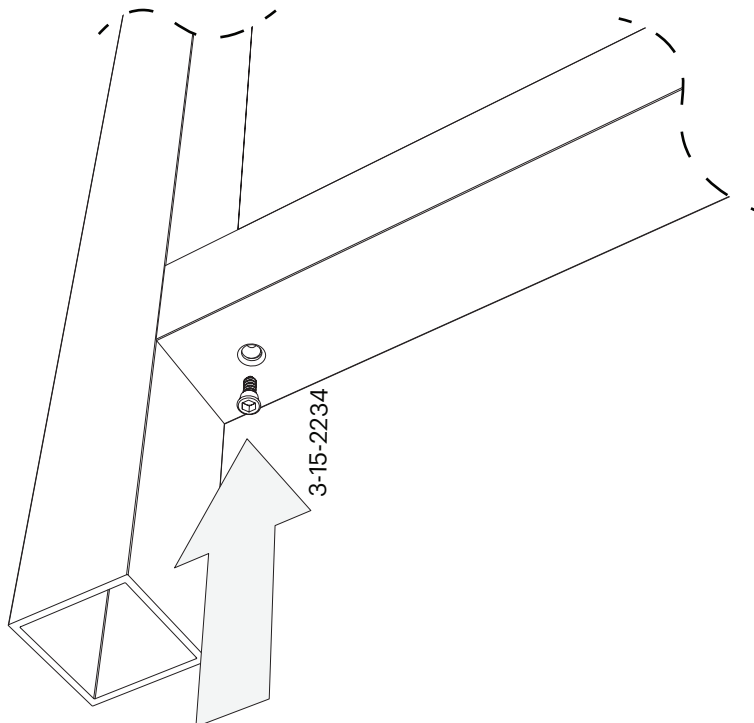
Installation

2 Attach T Intersection at Lower Horizontal Members

a



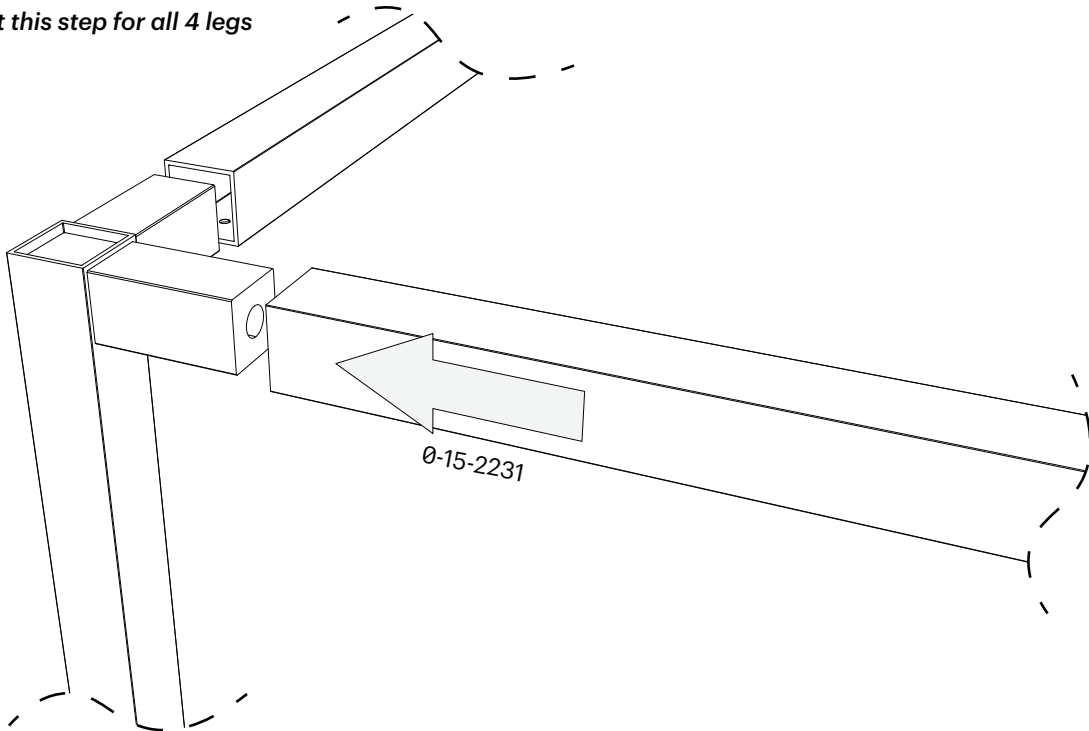
b



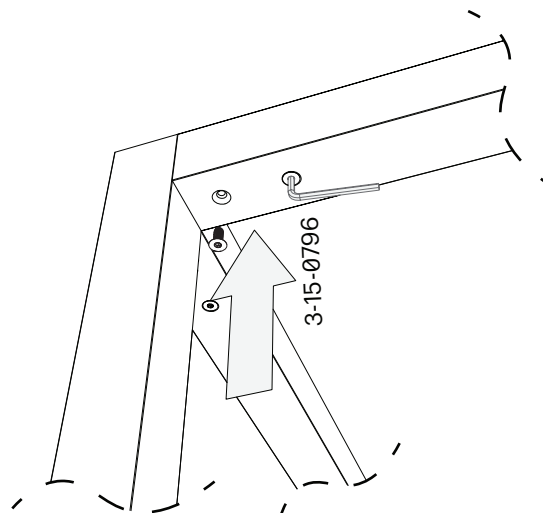
Installation

3 Attach Square Tube Profiles to Table Legs

a *Repeat this step for all 4 legs

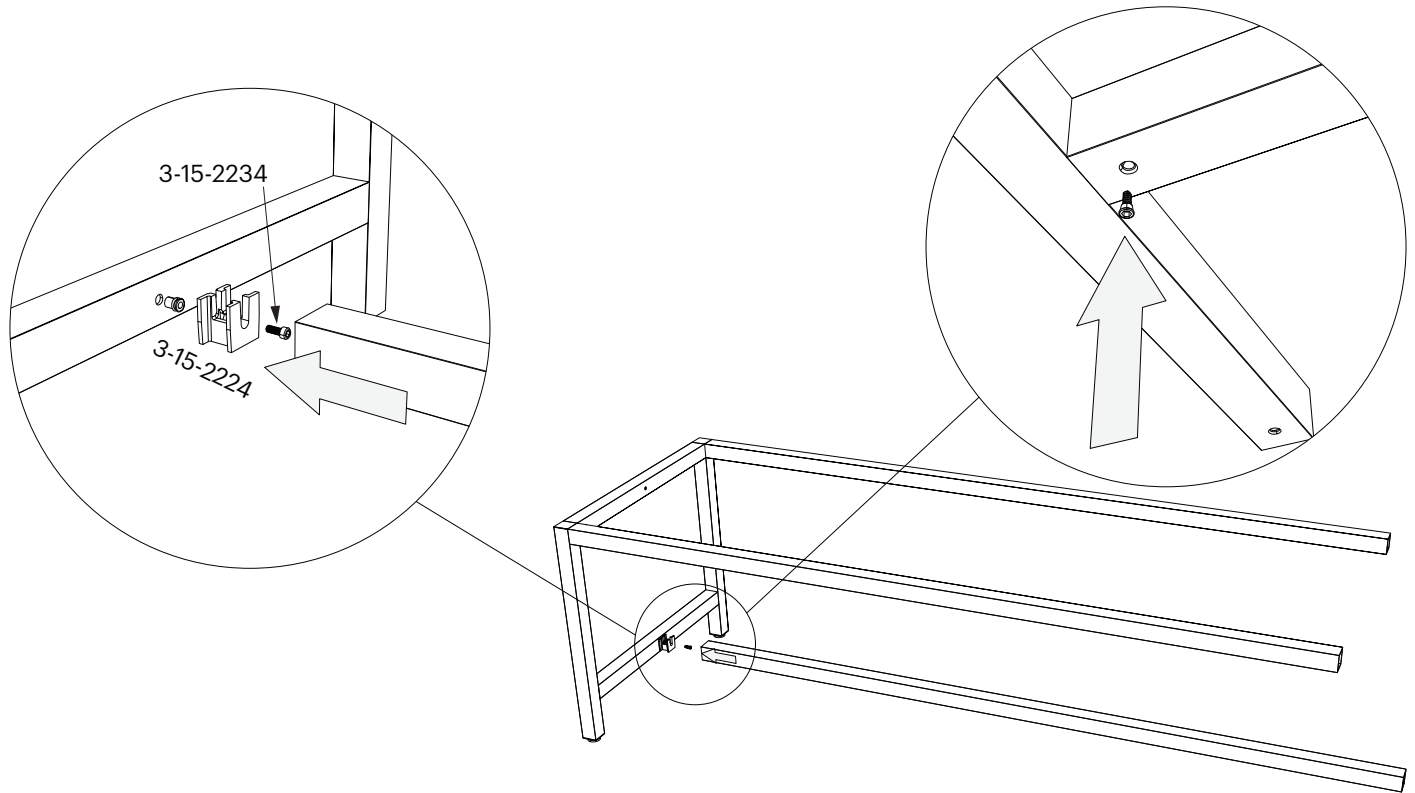


b Attach profile to leg with screw (3-15-0796) on underside.

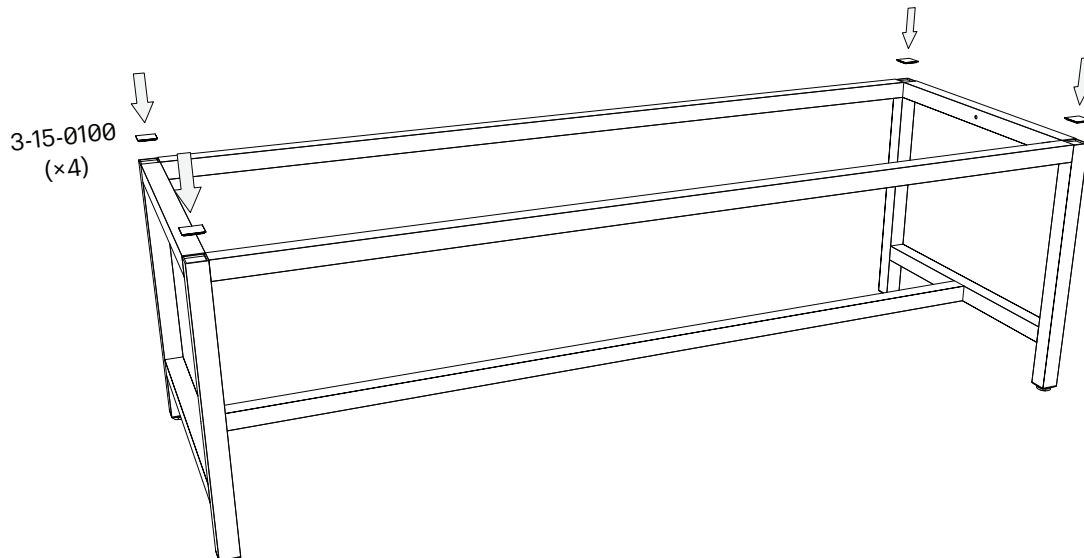


Installation

4 Attach Crossbar

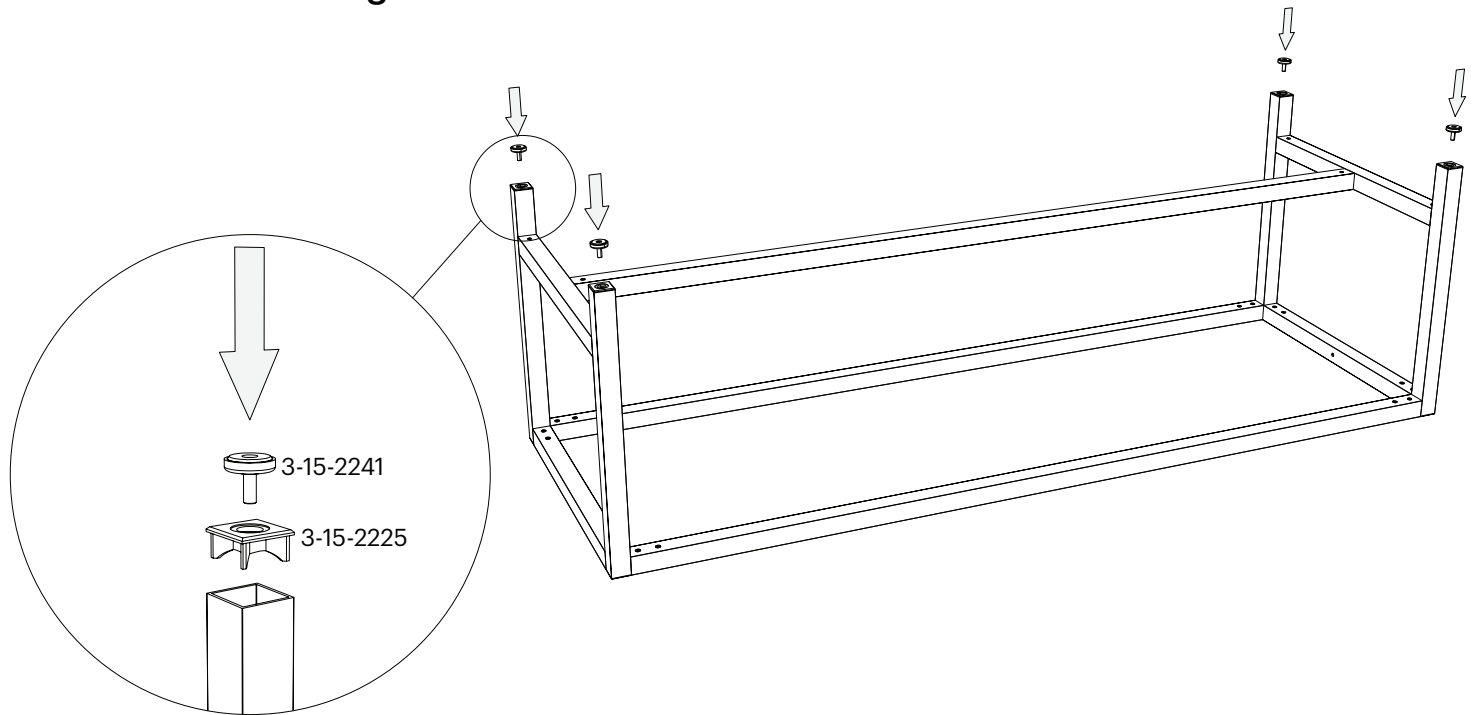


5 Attach Corner Covers

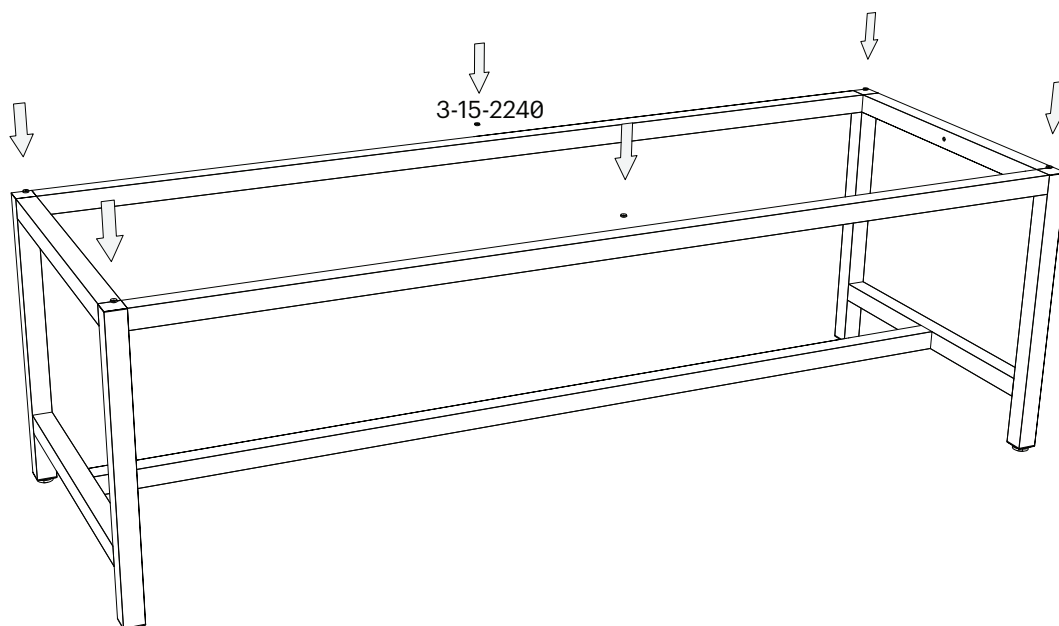


Installation

6 Attach Feet to Legs



7 Attach Stick-On Buttons to Frame where Panel will Sit



Installation

8 Place Table Top

