

Ready To Go
SimpleSpec 650.11™

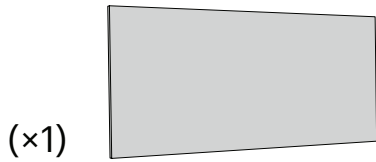
Installation Manual



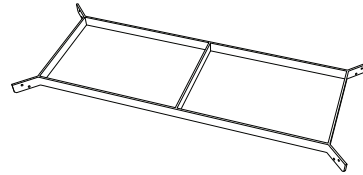
For more information, please visit 3-form.com or call 800.726.0126

JUNE 2017 | MAN-RTG-650-11 | REV 001 © 2017 3form, Inc. All rights reserved.

Contents Overview



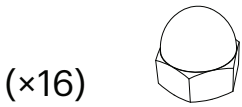
Chroma 1" Table Top



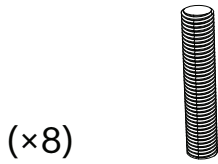
Stainless Steel Table Base
3-15-2241



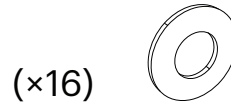
Medium Table Leg
-Rift White Oak
3-15-0147



M10 Acorn Nut
3-15-0142



**M10×1.5×50mm
Threaded Rod**
3-15-0143

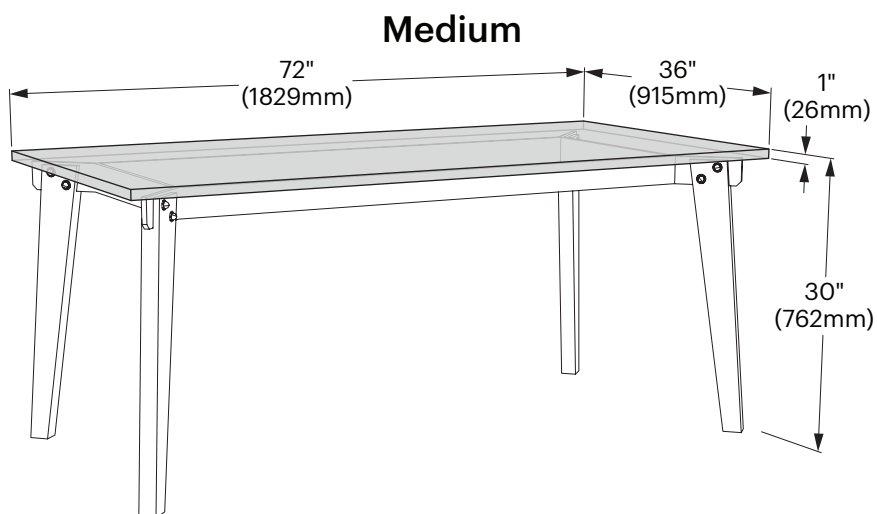
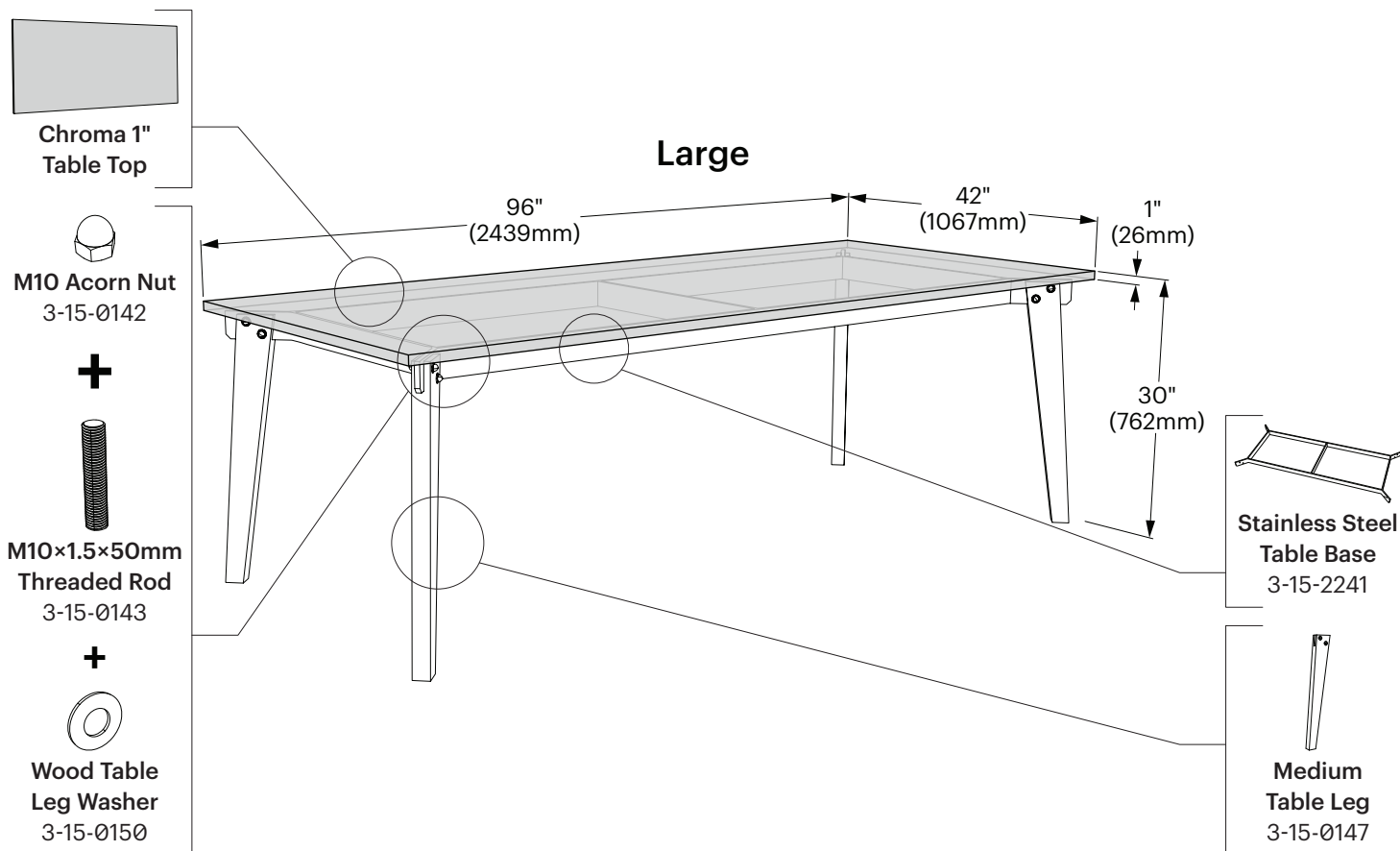


**Wood Table
Leg Washer**
3-15-0150



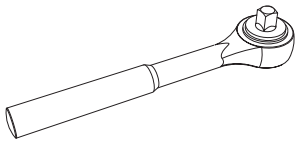
**Self Adhesive
Rubber Button**
3-15-2240

Overview

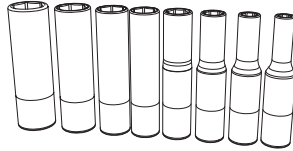


Installation

Required Tools

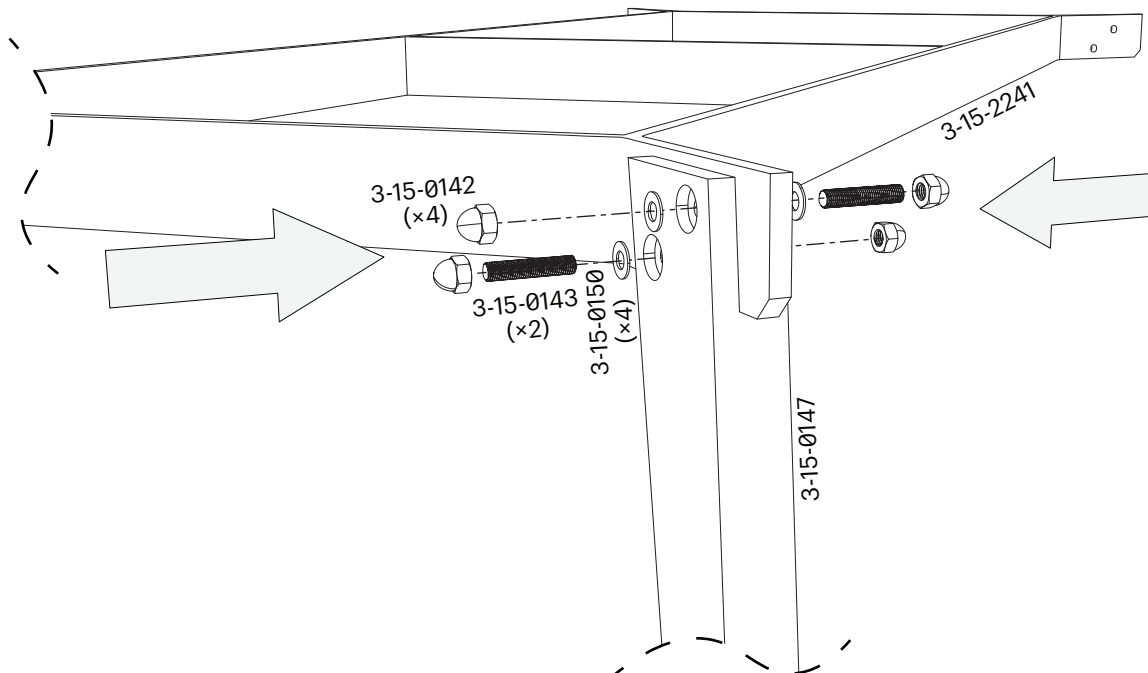


Socket Wrench



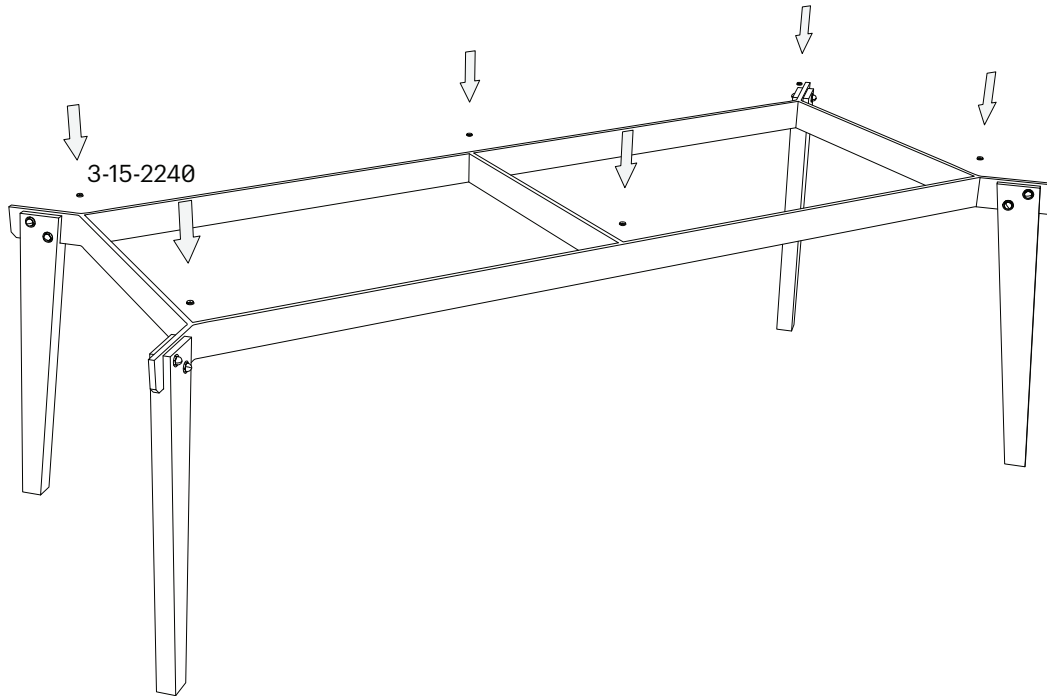
Metric Socket Set

1 Attach Legs to Table Base



Installation

2 Attach Rubber Buttons to Table Base



3 Place Table Top onto Base

